



Botticelli
design and comfort



Botticelli
design and comfort

VVIP
area



Botticelli
design and comfort

VVIP
area



Botticelli
design and comfort

conference
room



Botticelli
design and comfort

players
benches



Botticelli
design and comfort

TECHNICAL DESCRIPTION

Botticelli

Botticelli is the Italian design sport seat characterized by enveloping ergonomics; ideal to be used in the most prestigious areas of a sports facility or for players/referee benches, hospitality boxes, hospitality lounges, stages, dressing and conference rooms. The Botticelli chair enables a correct posture and ensures a comfortable sitting position even after many hours, thanks to solid seat and back padding which provides lumbar and cervical support.

The solid metal structure is covered with high-density polyurethane foam, the backrest and fixed seat are in washable eco leather, the headrest is integrated, the sides are fully upholstered and the stitching is highly resistant; It provides several clearly visible spaces for placing logos or writings and allows a wide choice of color combinations.

It gives particular importance to the environment's care, being recyclable and thanks to the use of recycled materials, it complies with FIFA 2030 / UEFA CAF provisions, with the European regulations UNI EN 13200 1-4 and it is tested according to the European standard UNI EN 12727

Dimensions: min. centre-to-centre distance 600 mm, depth 620 mm, seat height from 440 to 450 mm, width 600 mm, total height 980 mm.

Installation possibilities:

- ON SINGLE PEDESTAL OR BEAM WITH VERTICAL POLYAMIDE FOOT

the supporting structure is fixed to a polyamide plate which is hooked onto the metal beam

- ON FIXED OR MOUVABLE METAL BENCH

- ON 5-STAR FIXED OR SWIVEL BASE WITH GAS LIFT

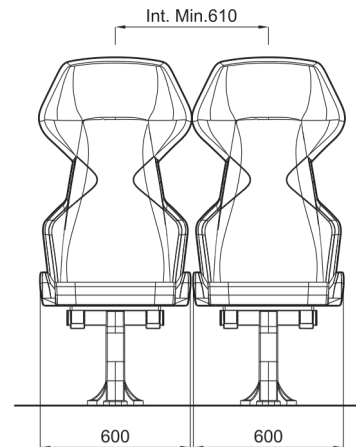
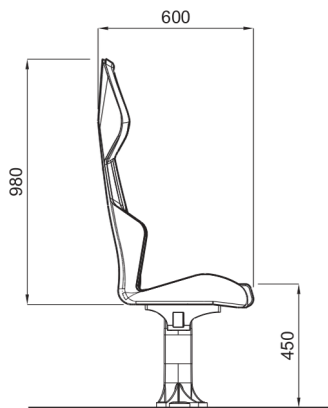
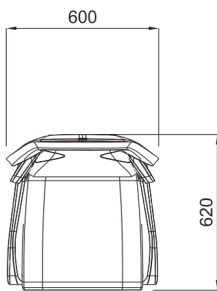
ideal for conference rooms.

MAIN FEATURES

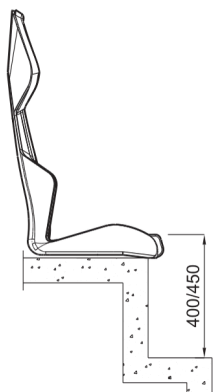
- Lumbar and cervical support
- Ergonomic lateral support
- Aerodynamic design
- Integrated headrest
- Finishing: waterproof eco leather
- Customizable colors
- Embroidered club or sponsor logos (up to 13 positions)
- Possibility of armrests with or without cup holder on request

Botticelli

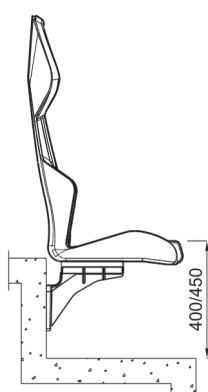
design and comfort



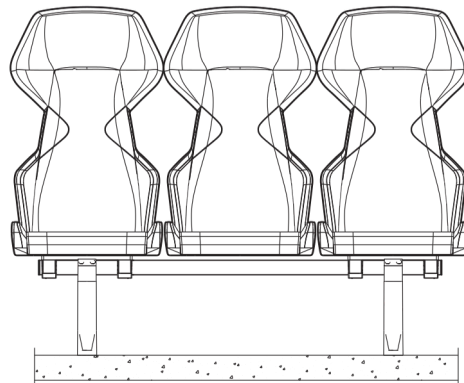
DIRETTAMENTE A GRADONE
DIRECTLY ON STEP



FRONTE GRADONE
RISER MOUNTING



SU PANCA METALLICA
ON METAL BENCH



UP TO 13 POSITIONS IN WHICH TO APPLY LOGOS OR EMBROIDERED WRITINGS OF VARIOUS SIZES



Botticelli
design and comfort

Botticelli

design and comfort



Botticelli on single polyamide foot for mobile player's / referee's benches



Botticelli mouvable metal bench



Botticelli on fixed metal bench

Botticelli
on a single
polyamide foot
for dressing
rooms



OPTIONAL



customization
with embroidered logos
or writings of various sizes

Polyurethane
armrest
with cup holder

Polyurethane
armrest





Via Parini, 3 - 40069 Zola Predosa (BO) Italy
Tel. +39 051 6164311 (2 linee r.a.) - Fax +39 051 6164317
info@omsi.it - soft@omsi.it - www.omsi.it