



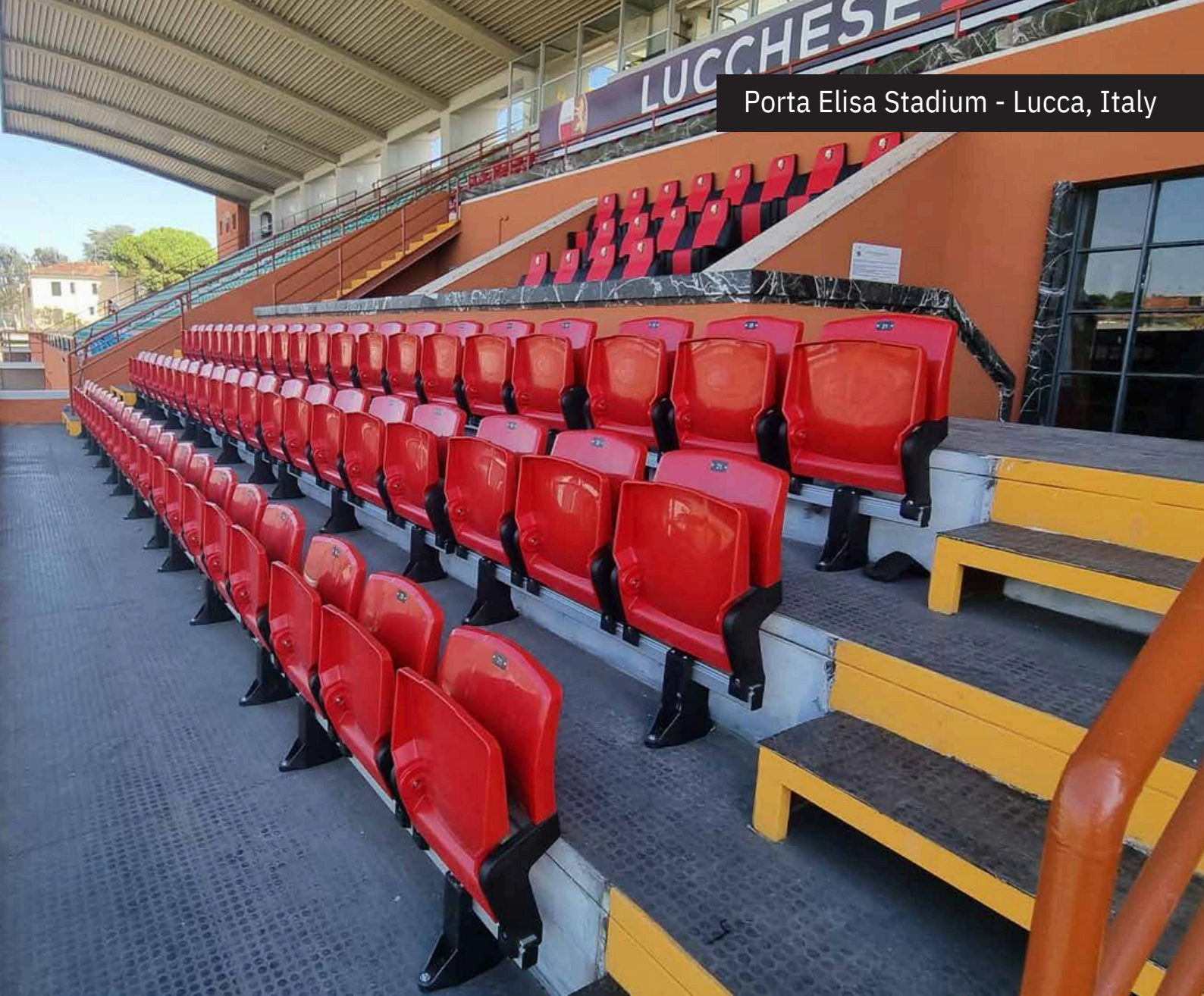
CARRAVAGGIO

Caravaggio
GP General Public



CARAVAGGIO

DESIGN BY *pininfarina*



Porta Elisa Stadium - Lucca, Italy



TECHNICAL DESCRIPTION

caravaggio



ON ALUMINUM BEAM

Caravaggio, the new seat designed by Pininfarina, is meant to offer spectators a solution focused on design, elegance and quality, giving life to an aesthetically harmonious product, but also extremely comfortable and functional,

characterized by

simple and essential lines, although sophisticated, the perfect combination of comfort and luxury.

A project inspired by innovation, technological research and great attention to the environment; in fact Caravaggio is a tip-up seat with seat and backrest made with injection copolymer polypropylene derived from differentiated waste collection and / or industrial waste (PSV Second Life Plastic version); certified by IPPR (Institute for the promotion of recycled plastics) fire-retardant and additivated in the mass with substance resistant to UV rays (standard or long-lasting protection), dimensionally complying with FIFA / UEFA recommendations and with European standards UNI EN 13200-1-4; certified with laboratory tests by the largest Italian research and testing institute furniture sector according to the European standard UNI EN 12727: 2017 (level 4 - severe).

DIMENSIONS:

Width 450 mm, overall dimensions with open seat 490 mm., overall dimensions with closed seat 200 mm, minimum center-to-center distance 450 mm.

Supporting frame is manufactured with injection technology using polyamide loaded with glass fiber; particularly suitable for areas with high humidity and salt concentration.

The two sides of the seats are connected by a central pivot, around which the seat rotates, in compliance with UNI EN ISO 13200-4: 2006 point 5.1 (accessible moving parts), preventing the accidental squeezing of the fingers during rotation.

The tilting of the seat takes place by gravity, through a counterweight that is not visible and not accessible as it is located in a special closed compartment.

Non-toxic, 100% recyclable, fire retardant Class 1. (Upon request)

Reclining armrest available upon request. (with or without cup holder)

The aluminum plate is fixed to the backrest by means of tear-off rivets to maintain the anti-vandal characteristics.

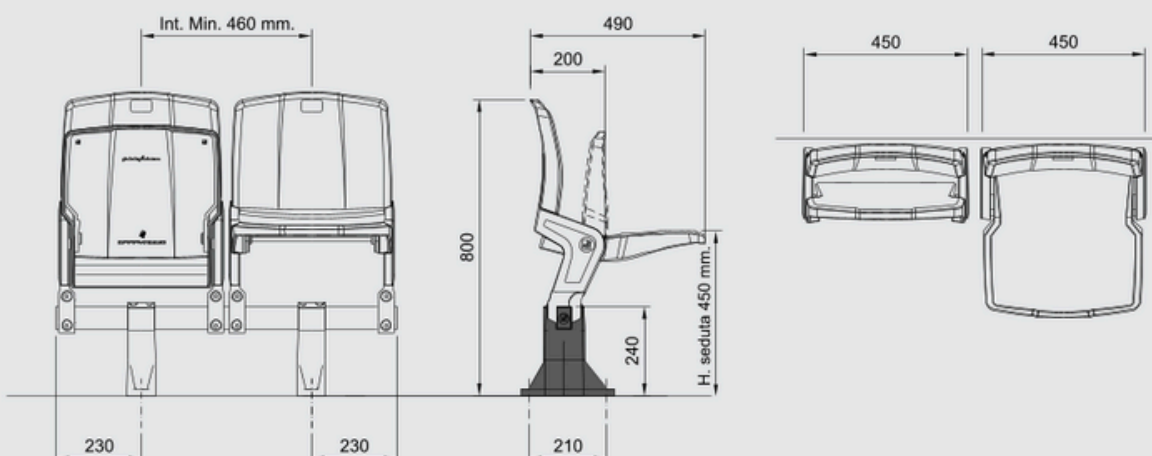
Caravaggio in virgin polypropylene is also available.

INSTALLATION:

ON ALUMINUM BEAM: Installation must be performed by a company with UNI EN ISO 9001:2015 installation quality certificate and complying with UNI EN ISO 14001: 2015 regarding the environmental management system.

The supporting structure is hooked onto an aluminum a special section beam, single or 2/3/4/5 seater; the same is than fixed onto a vertical polyamide foot. The complete structure is than fixed to the floor by means of n. 4 fixing anchors M8 x 90mm (composed by the anchor, washer Ø24 mm and nut M8) for each module to ensure extreme anti-vandal performance.

GP - FIFA Recommended 500 mm



Caravaggio
SILVER



TECHNICAL DESCRIPTION

Caravaggio

ON ALUMINUM BEAM

Caravaggio
SILVER

Caravaggio, the new seat designed by Pininfarina, is meant to offer spectators a solution focused on design, elegance and quality, giving life to an aesthetically harmonious product, but also extremely comfortable and functional, characterized by simple and essential lines, although sophisticated, the perfect combination of comfort and luxury.

A project inspired by innovation, technological research and great attention to the environment; in fact Caravaggio is a tip-up seat with seat and backrest made with injection copolymer polypropylene derived from differentiated waste collection and / or industrial waste (PSV Second Life Plastic version); certified by IPPR (Institute for the promotion of recycled plastics) fire-retardant and additivated in the mass with substance resistant to UV rays (standard or long-lasting protection), dimensionally complying with FIFA / UEFA recommendations and with European standards UNI EN 13200-1-4; certified with laboratory tests by the largest Italian research and testing institute furniture sector according to the European standard UNI EN 12727: 2017 (level 4 - severe).

DIMENSIONS:

Width 450 mm, overall dimensions with open seat 490 mm., overall dimensions with closed seat 200 mm, minimum center-to-center distance 450 mm.

Supporting frame is manufactured with injection technology using polyamide loaded with glass fiber; particularly suitable for areas with high humidity and salt concentration.

The two sides of the seats are connected by a central pivot, around which the seat rotates, in compliance with UNI EN ISO 13200-4: 2006 point 5.1 (accessible moving parts), preventing the accidental squeezing of the fingers during rotation.

The tilting of the seat takes place by gravity, through a counterweight that is not visible and not accessible as it is located in a special closed compartment.

Non-toxic, 100% recyclable, fire retardant Class 1. (Upon request)

Reclining armrest available upon request. (with or without cup holder)

The aluminum plate is fixed to the backrest by means of tear-off rivets to maintain the anti-vandal characteristics.

Caravaggio in virgin polypropylene is also available.

The **"SILVER"** version has a configuration with backrest and seat completely upholstered on the whole surface.

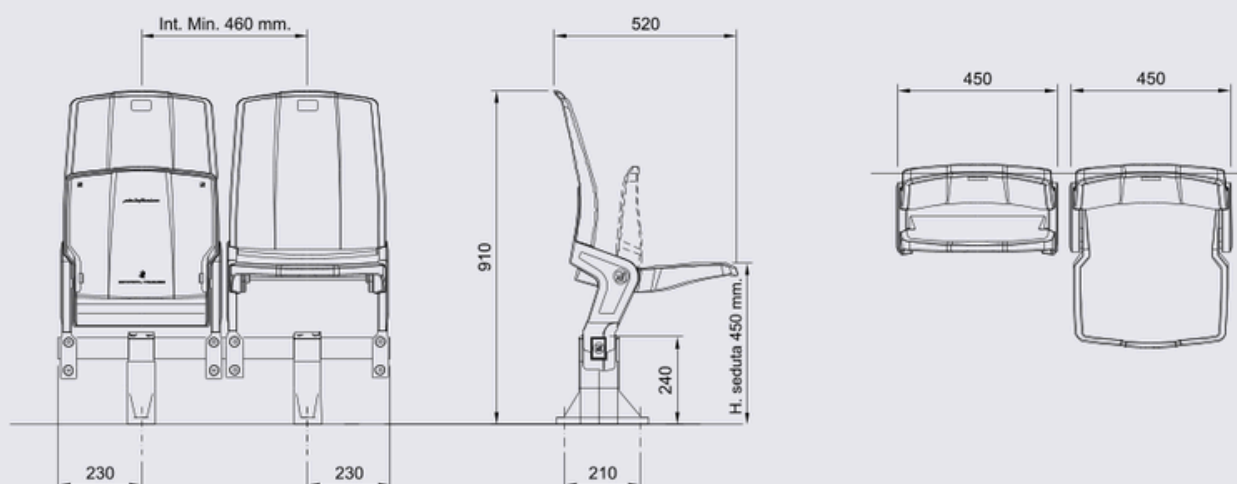
It can be customized with the adoption of different colours combinations and the embroidering of logos and/or writings.

INSTALLATION:

ON ALUMINUM BEAM: Installation must be performed by a company with UNI EN ISO 9001:2015 installation quality certificate and complying with UNI EN ISO 14001: 2015 regarding the environmental management system.

The supporting structure is hooked onto an aluminum a special section beam, single or 2/3/4/5 seater; the same is than fixed onto a vertical polyamide foot. The complete structure is than fixed to the floor by means of n. 4 fixing anchors M8 x 90mm (composed by the anchor, washer Ø24 mm and nut M8) for each module to ensure extreme anti-vandal performance.

GP - FIFA Recommended 600 mm



Arena Borghesi - Faenza, Italy



Caravaggio
H Hospitality

RECLINING ARMREST AVAILABLE UPON REQUEST.

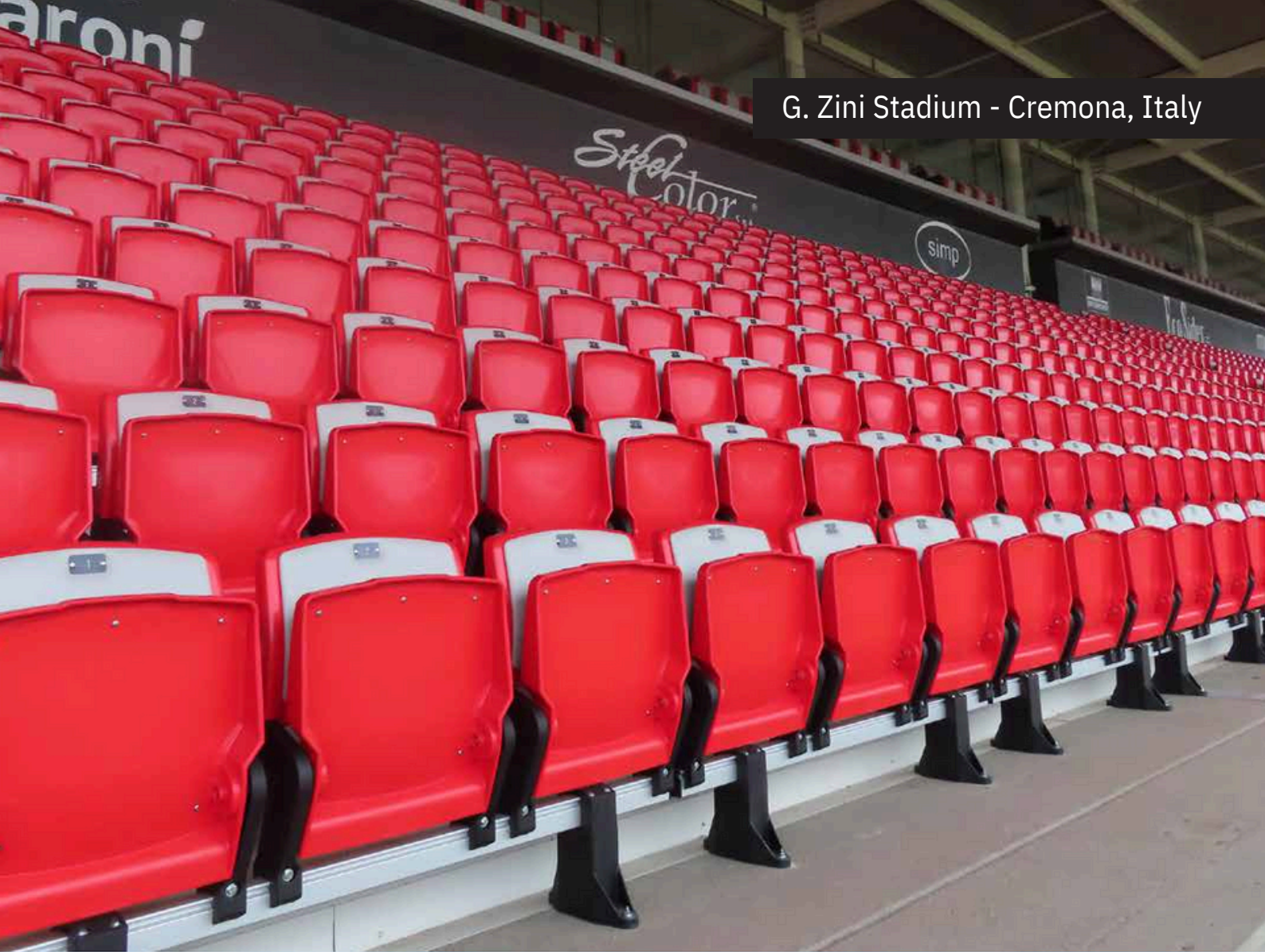


Stade Roi Baudouin, Bruxelles - Belgium



Stade Roi Baudouin, Bruxelles - Belgium





G. Zini Stadium - Cremona, Italy



TECHNICAL DESCRIPTION

caravaggio

ON ALUMINUM BEAM



Caravaggio, is meant to offer spectators a solution focused on design, elegance and quality, giving life to an aesthetically harmonious product, but also extremely comfortable and functional, characterized by simple and essential lines, although sophisticated, the perfect combination of comfort and luxury.

A project inspired by innovation, technological research and great attention to the environment; infact Caravaggio is a tip-up seat with seat and backrest made with injection copolymer polypropylene derived from differentiated waste collection and / or industrial waste (PSV Second Life Plastic version); certified by IPPR (Institute for the promotion of recycled plastics) fire-retardant and additivated in the mass with substance resistant to UV rays (standard or long-lasting protection), dimensionally complying with FIFA / UEFA recommendations and with European standards UNI EN 13200-1-4; certified with laboratory tests by the largest Italian research and testing institute furniture sector according to the European standard UNI EN 12727: 2017 (level 4 - severe).

DIMENSIONS:

Width 450 mm, overall dimensions with open seat 490 mm., overall dimensions with closed seat 200 mm, minimum center-to-center distance 450 mm.

Supporting frame is manufactured with injection technology using polyamide loaded with glass fiber; particularly suitable for areas with high humidity and salt concentration.

The two sides of the seats are connected by a central pivot, around which the seat rotates, in compliance with UNI EN ISO 13200-4: 2006 point 5.1 (accessible moving parts), preventing the accidental squeezing of the fingers during rotation. The tilting of the seat takes place by gravity, through a counterweight that is not visible and not accessible as it is located in a special closed compartment.

Non-toxic, 100% recyclable, fire retardant Class 1. (Upon request)

Reclining armrest available upon request. (with or without cup holder)

The aluminum plate is fixed to the backrest by means of tear-off rivets to maintain the anti-vandal characteristics.

Caravaggio in virgin polypropylene is also available.

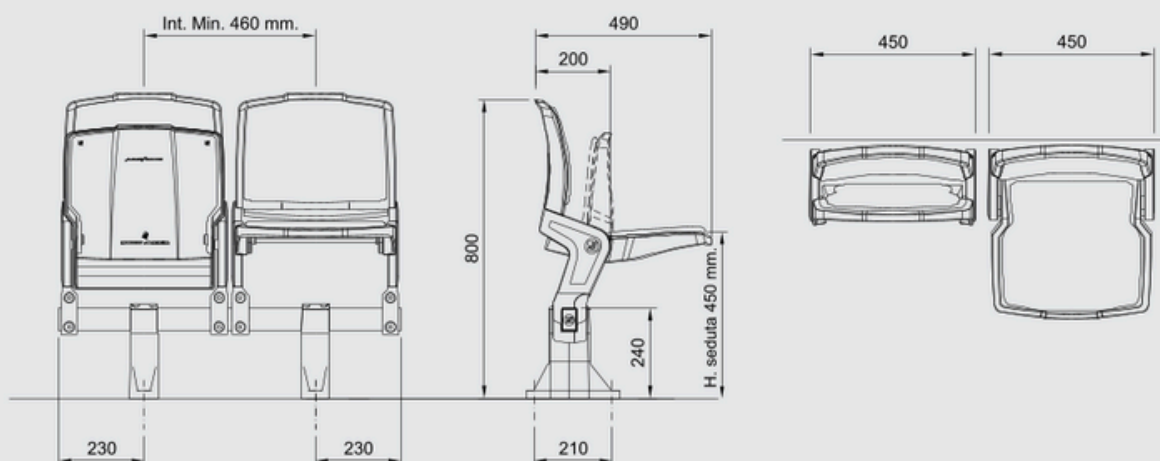
The **"Hospitality"** version has a configuration with padded panels fixed directly on the plastic of the seat and back rest by means of screws.

It can be customized with the adoption of different colours combinations and the embroidering of logos and/or writings.

INSTALLATION:

ON ALUMINUM BEAM: Installation must be performed by a company with UNI EN ISO 9001:2015 installation quality certificate and complying with UNI EN ISO 14001: 2015 regarding the environmental management system.

The supporting structure is hooked onto an aluminum a special section beam, single or 2/3/4/5 seater; the same is than fixed onto a vertical polyamide foot. The complete structure is than fixed to the floor by means of n. 4 fixing anchors M8 x 90mm (composed by the anchor, washer Ø24 mm and nut M8) for each module to ensure extreme anti-vandal performance.



Caravaggio
V VIP



CARAVAGGIO

TECHNICAL DESCRIPTION

Caravaggio

ON ALUMINUM BEAM



Caravaggio, the new seat designed by Pininfarina, is meant to offer spectators a solution focused on design, elegance and quality, giving life to an aesthetically harmonious product, but also extremely comfortable and functional, characterized by simple and essential lines, although sophisticated, the perfect combination of comfort and luxury.

A project inspired by innovation, technological research and great attention to the environment; in fact Caravaggio is a tip-up seat with seat and backrest made with injection copolymer polypropylene derived from differentiated waste collection and / or industrial waste (PSV Second Life Plastic version); certified by IPPR (Institute for the promotion of recycled plastics) fire-retardant and additivated in the mass with substance resistant to UV rays (standard or long-lasting protection), dimensionally complying with FIFA / UEFA recommendations and with European standards UNI EN 13200-1-4; certified with laboratory tests by the largest Italian research and testing institute furniture sector according to the European standard UNI EN 12727: 2017 (level 4 - severe).

DIMENSIONS:

Width 450 mm, overall dimensions with open seat 490 mm., overall dimensions with closed seat 200 mm, minimum center-to-center distance 450 mm.

Supporting frame is manufactured with injection technology using polyamide loaded with glass fiber; particularly suitable for areas with high humidity and salt concentration.

The two sides of the seats are connected by a central pivot, around which the seat rotates, in compliance with UNI EN ISO 13200-4: 2006 point 5.1 (accessible moving parts), preventing the accidental squeezing of the fingers during rotation.

The tilting of the seat takes place by gravity, through a counterweight that is not visible and not accessible as it is located in a special closed compartment.

Non-toxic, 100% recyclable, fire retardant Class 1. (Upon request)

Reclining armrest available upon request. (with or without cup holder)

The aluminum plate is fixed to the backrest by means of tear-off rivets to maintain the anti-vandal characteristics.

Caravaggio in virgin polypropylene is also available.

The "VIP" version has a configuration with backrest and seat completely upholstered on the whole surface.

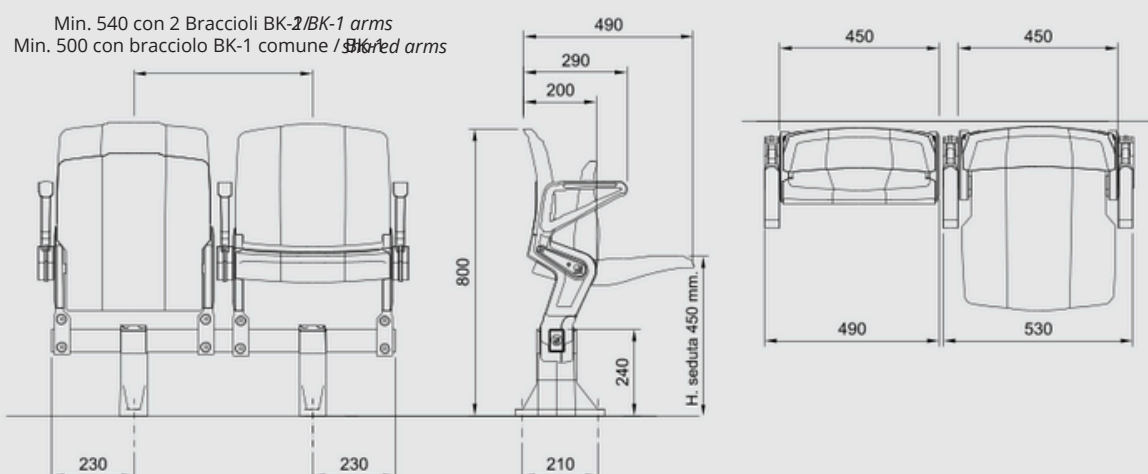
It can be customized with the adoption of different colours combinations and the embroidering of logos and/or writings.

INSTALLATION:

ON ALUMINUM BEAM: Installation must be performed by a company with UNI EN ISO 9001:2015 installation quality certificate and complying with UNI EN ISO 14001: 2015 regarding the environmental management system.

The supporting structure is hooked onto an aluminum a special section beam, single or 2/3/4/5 seater; the same is than fixed onto a vertical polyamide foot. The complete structure is than fixed to the floor by means of n. 4 fixing anchors M8 x 90mm (composed by the anchor, washer Ø24 mm and nut M8) for each module to ensure extreme anti-vandal performance.

VIP - FIFA Recommended 600 mm



**Caravaggio
GOLD**

**BK-L armrest
with glass holder**



CARRAVACCIO

TECHNICAL DESCRIPTION

caravaggio

ON ALUMINUM BEAM

Caravaggio
GOLD

Caravaggio, the new seat designed by Pininfarina, is meant to offer spectators a solution focused on design, elegance and quality, giving life to an aesthetically harmonious product, but also extremely comfortable and functional, characterized by simple and essential lines, although sophisticated, the perfect combination of comfort and luxury.

A project inspired by innovation, technological research and great attention to the environment; in fact Caravaggio is a tip-up seat with seat and backrest made with injection copolymer polypropylene derived from differentiated waste collection and / or industrial waste (PSV Second Life Plastic version); certified by IPPR (Institute for the promotion of recycled plastics) fire-retardant and additivated in the mass with substance resistant to UV rays (standard or long-lasting protection), dimensionally complying with FIFA / UEFA recommendations and with European standards UNI EN 13200-1-4; certified with laboratory tests by the largest Italian research and testing institute furniture sector according to the European standard UNI EN 12727: 2017 (level 4 - severe).

DIMENSIONS:

Width 450 mm, overall dimensions with open seat 490 mm., overall dimensions with closed seat 200 mm, minimum center-to-center distance 450 mm.

Supporting frame is manufactured with injection technology using polyamide loaded with glass fiber; particularly suitable for areas with high humidity and salt concentration.

The two sides of the seats are connected by a central pivot, around which the seat rotates, in compliance with UNI EN ISO 13200-4: 2006 point 5.1 (accessible moving parts), preventing the accidental squeezing of the fingers during rotation.

The tilting of the seat takes place by gravity, through a counterweight that is not visible and not accessible as it is located in a special closed compartment.

Non-toxic, 100% recyclable, fire retardant Class 1. (Upon request)

Reclining armrest available upon request. (with or without cup holder)

The aluminum plate is fixed to the backrest by means of tear-off rivets to maintain the anti-vandal characteristics.

Caravaggio in virgin polypropylene is also available.

The **"GOLD"** version has a configuration with backrest and seat completely upholstered on the whole surface.

It can be customized with the adoption of different colours combinations and the embroidering of logos and/or writings.

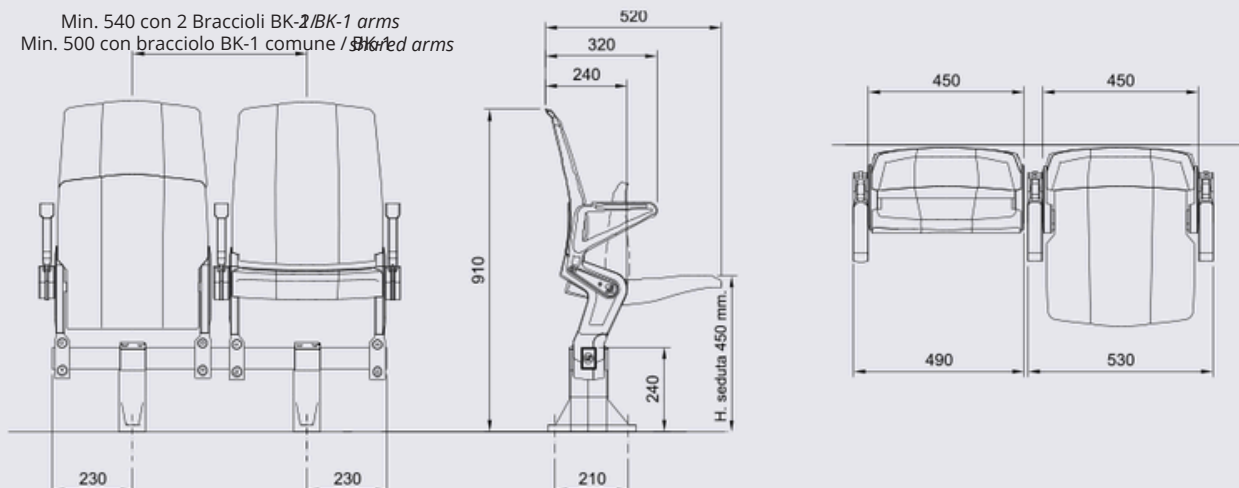
INSTALLATION:

ON ALUMINUM BEAM: Installation must be performed by a company with UNI EN ISO 9001:2015 installation quality certificate and complying with UNI EN ISO 14001: 2015 regarding the environmental management system.

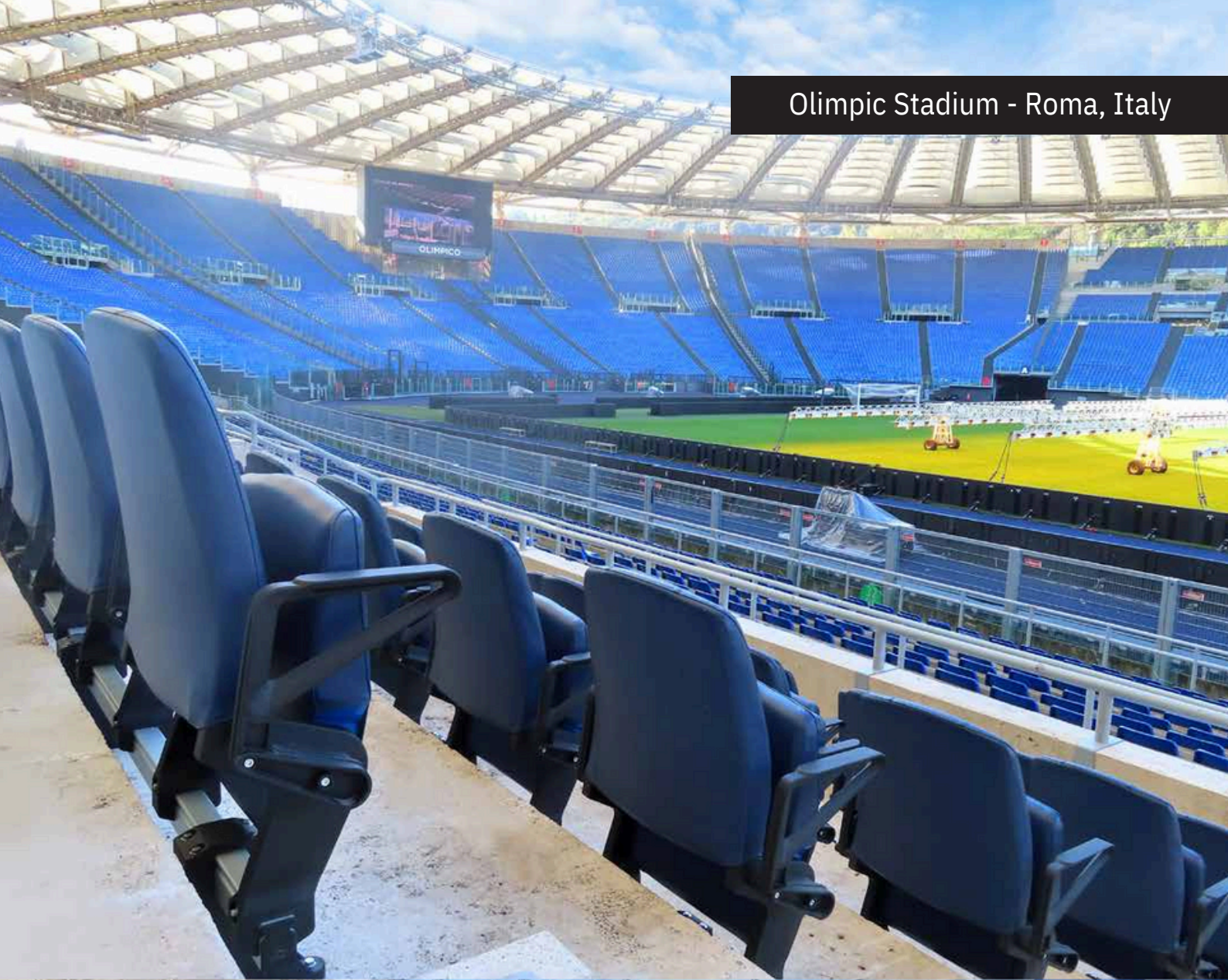
The supporting structure is hooked onto an aluminum a special section beam, single or 2/3/4/5 seater; the same is than fixed onto a vertical polyamide foot. The complete structure is than fixed to the floor by means of n. 4 fixing anchors M8 x 90mm (composed by the anchor, washer Ø24 mm and nut M8) for each module to ensure extreme anti-vandal performance.

VIP - FIFA Recommended 600 mm

Min. 540 con 2 Braccioli BK-2/BK-1 arms
Min. 500 con bracciolo BK-1 comune / shared arms



Olimpic Stadium - Roma, Italy



Olympic Stadium - Roma, Italy



STADIO OLIMPICO

OTHER VERSIONS

caravaggio

The **"ROTATING"** version is used for disabled people companions or as workstation for radio/TV journalists and consists of a chair Caravaggio clamped on a single station tubular special profile aluminum EN AW6060 thickness 2 mm which is secured to a vertical polyamide support with 4 threading screws. The complete structure is then fixed to the floor by means of 4 fixing anchors M8 x 75mm (composed by the anchor, washer Ø24 mm and nut M8) for each module to ensure extreme anti-vandal performance. Steel parts have cathodolysis finishing and painting (in accordance with ISO 9227) or are hot dip galvanized (in accordance with EN 1461). Upholstery panels or complete upholstery are also available on seat and back, as well as arms and colours or logos customizations.

The **"PRESS"** version comes with a seat Mod. Caravaggio mounted on a aluminium beam EN AW6060 thickness 2 mm where a metal arm is also fixed, that supports a folding tablet formed by its aluminium joint fixed to the structure onto which is mounted a HPL tablet sized to operate as a working top in horizontal position and to be folded along the side of the chair when not in use. The joint is designed with anti-panic mechanism which rotates forward the tablet and facilitates a rapid evacuation in case of need. It is also possible to equip the seat with paddings fixed on top or integrated, armrests with or without glass holder, possible customizations with colours and embroidered logos upon request.

The version **"WITH FOLDING ARMS"** is the ideal solution for customers with limited space who do not want to give up the convenience of the armrests. Thanks to a special mechanism fixed to the lateral sides of the supporting structure, the polypropylene armrest is able to bend of over 100°.



COLOURS

caravaggio

STANDARD COLOURS:



F0001



R3002



R7004



R5017



R6001



R1021



F0009

NON-STANDARD COLOURS AT LEAST 500 PCS:



WITHE
R9003
R9010



BEIGE
R1001
R8000



YELLOW
R1034



ORANGE
F0004
R2009
R2003



RED
R3001
R3004
R3020



GREEN
R6032
R6018
R6026
R6004
R6024



LIGHT BLUE
P283C



BLUE
R5002
R5012
R5013
R5014
R5024



GREY
P428C
R7004
R7035
R7037
R7040
R7016
R7022



BORDEAUX
P504C



BROWN
R8019



OTHER
COLOURS