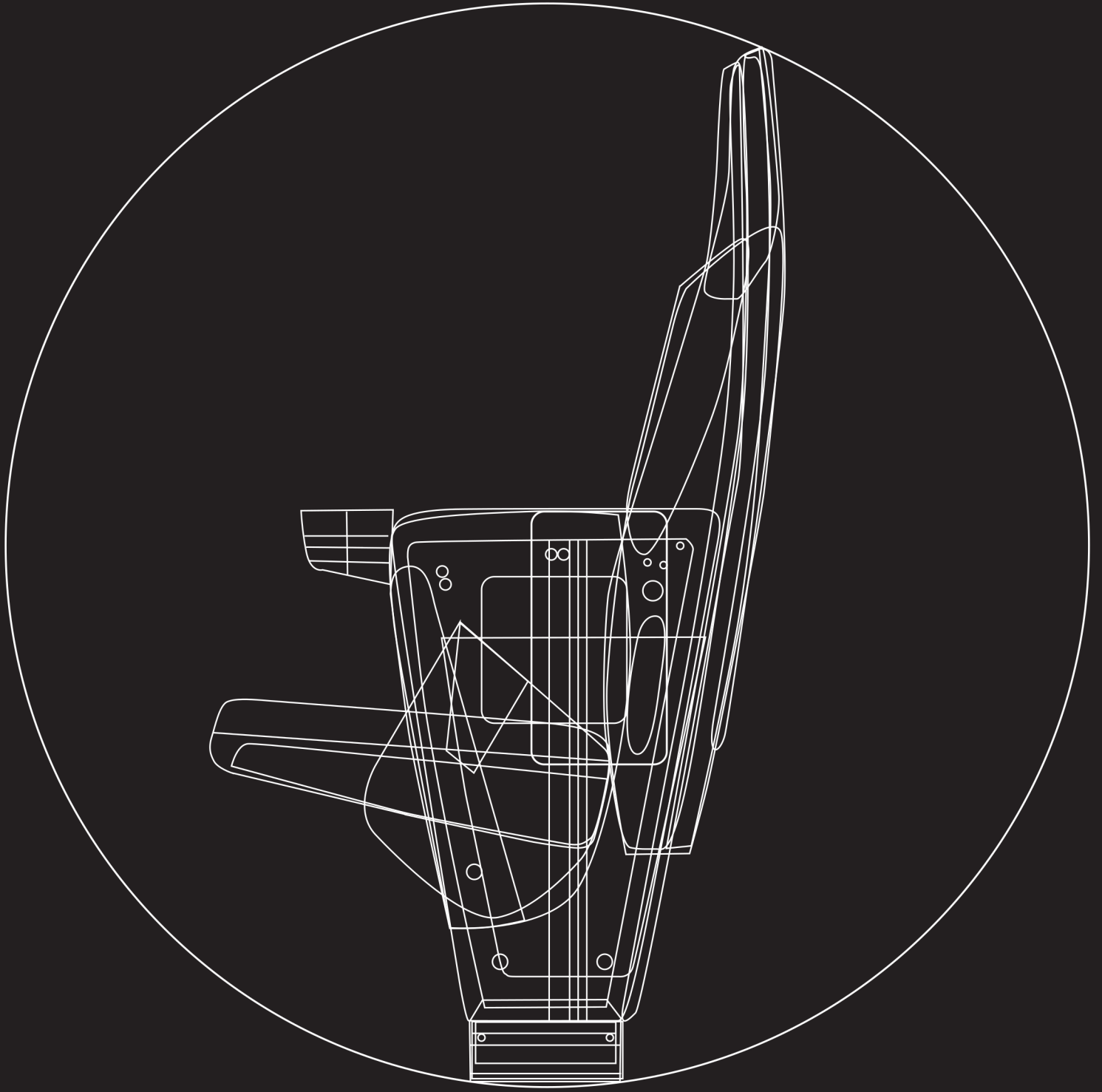




plastica  
seconda vita  
MIX ECO

leonardo

GOLD



leonardo

GOLD

VVIP

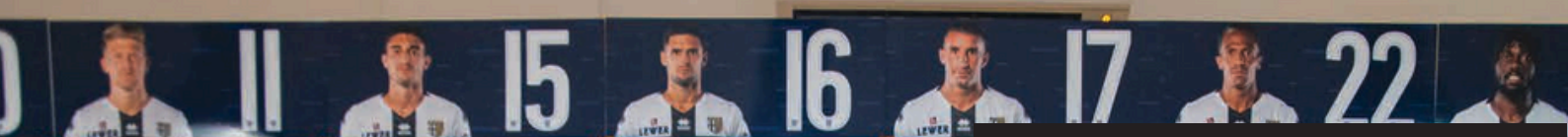


leonardo

GOLD

E. Tardini Stadium, Parma - Italy





E. Tardini Stadium, Parma - Italy





Brianteo Stadium, Monza - Italy







Vimercate Stadium, Monza MB - Italy



# DATA SHEET

# leonardo

## GOLD

Leonardo Gold a new armchair with modern and elegant lines, the perfect combination of comfort and luxury and the highest level of quality and robustness. A unique Italian design that comes from the extensive experience of Pininfarina in the automotive sector, which has always paid particular attention to passenger comfort, here translated into an armchair characterized by the fully closed side that hides the structural elements, combining style and functionality thanks to the research of highly performing materials even in adverse weather conditions and high humidity environments. An armchair that looks after the comfort of the spectators, guaranteeing maximum safety thanks to the use of fireproof materials, and capable of bringing families back to the stadiums allowing them to experience great emotions. Characterized by comfortable and harmonious curves, inspired by the lines that have distinguished the most exclusive luxury cars, the LEONARDO armchairs are ideal to be placed in the most prestigious areas of a sports facility and in conference rooms. A common thread that unites and furnishes an entire stadium from the general public area, to hospitality, Vip, VVIP Press, Media, locker rooms and player benches. Entirely produced in Italy, a particular care is reserved to the environment, being 100% recyclable and using recycled materials, the LEONARDO armchair complies with the latest FIFA / UEFA regulations and is FIBA homologated. It is also complying with European norms UNI EN 13200 1-4 and it is tested according European standard UNI EN 12727:2017. The supporting structure, the side and the seat support are manufactured with injection technology using recycled polyamide loaded with glass fiber, the back support is produced with rotational technology using copolymer polypropylene derived from differentiated waste collection and / or industrial waste, fireproof, fire reaction class 1 and additivated in the mass with a substance resistant to UV rays. The armrests are integrated in the side and covered with expanded polyurethane, armrests with integrated cupholder or with a writing tablet are also available. The side at the end of the row is possibly available in rigid lacquered polyurethane or in ABS produced with injection technology. The LEONARDO armchairs are highly customizable: the finishing is available in fabric, velvet, leather or eco-leather; there is a big choice between a wide range of colors, combinations and finishes through embroidered logos or writings; it is also possible to characterize the chair by selecting a different combination of accessories

### OVERALL DIMENSIONS

width 690 (with double armrest), depth with closed seat 480 mm, depth with open seat 670 mm, seat width 500 mm, total height of the armchair 1220 mm

### OPTIONAL:

- Headrest with 10 inch monitor
- USB
- Heated seat and backrest
- Cup holder
- writing tablet
- Writing tablet with monitor
- Fixed seat
- Matching upholstery for underseat available upon request
- Qr-code

### ARMCHAIR TYPES:

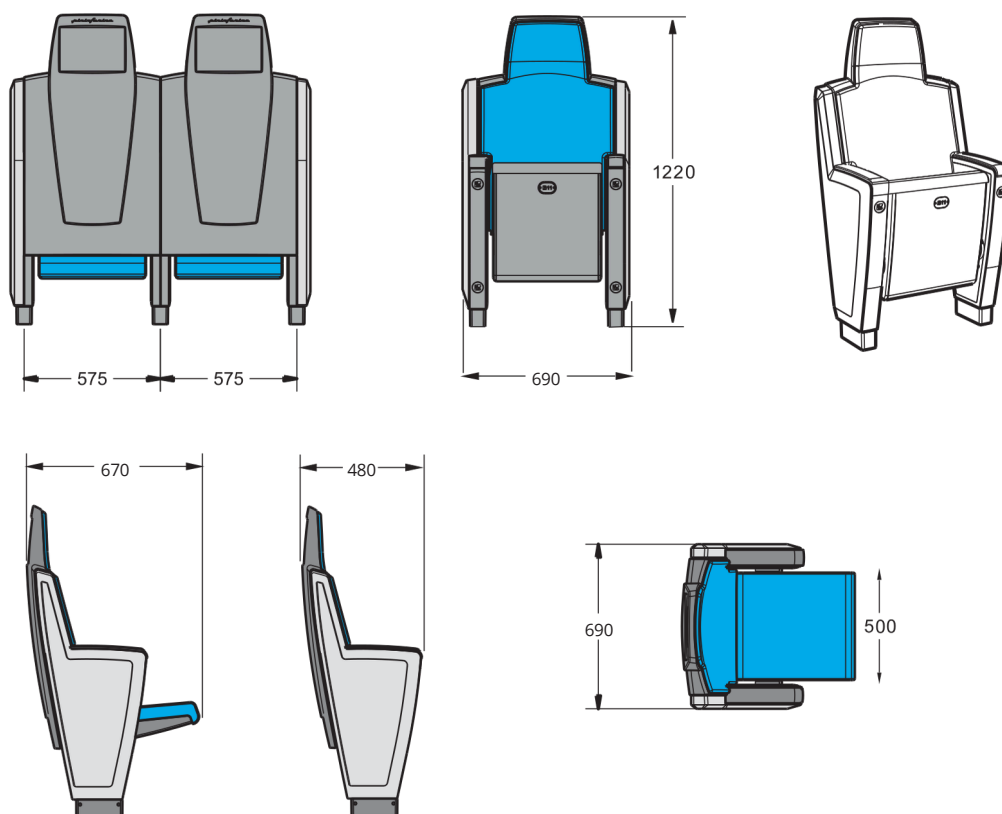
LEONARDO GOLD 597: Armchair with high backrest, lateral side in painted polyurethane, center to center distance, 575 mm, installed in rows.

LEONARDO GOLD 557:

Armchair with high backrest, low lateral side in ABS, center to center distance 575 mm, installed in rows.

# leonardo 597

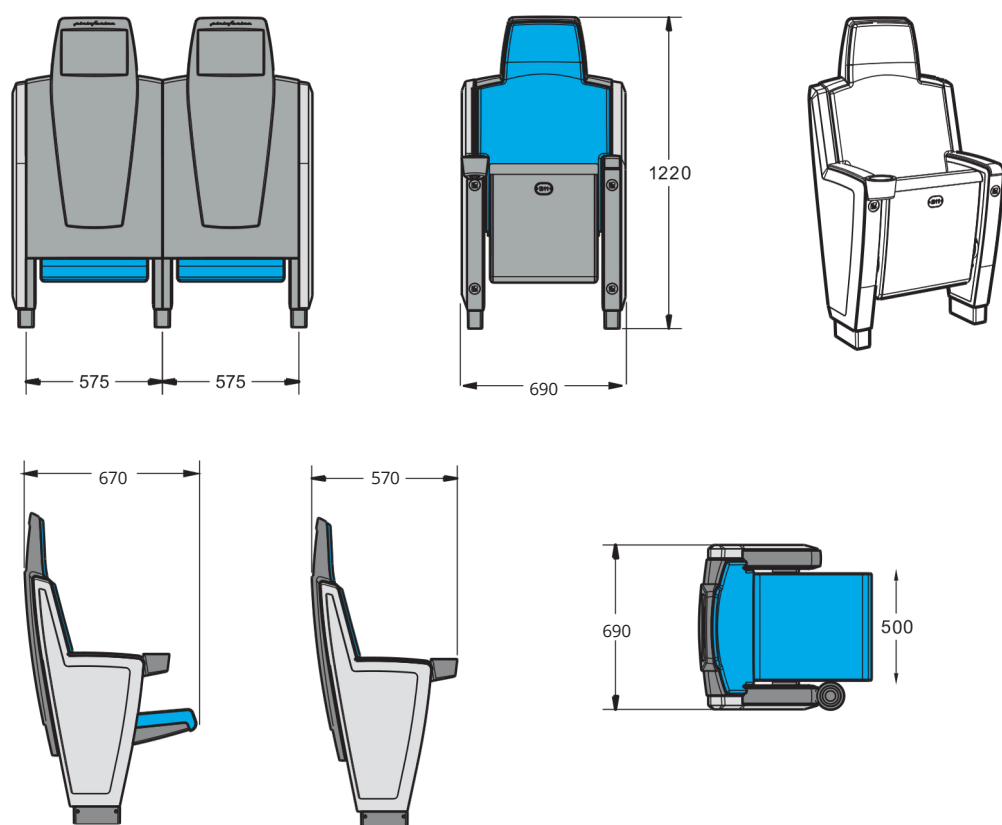
GOLD



# leonardo 597

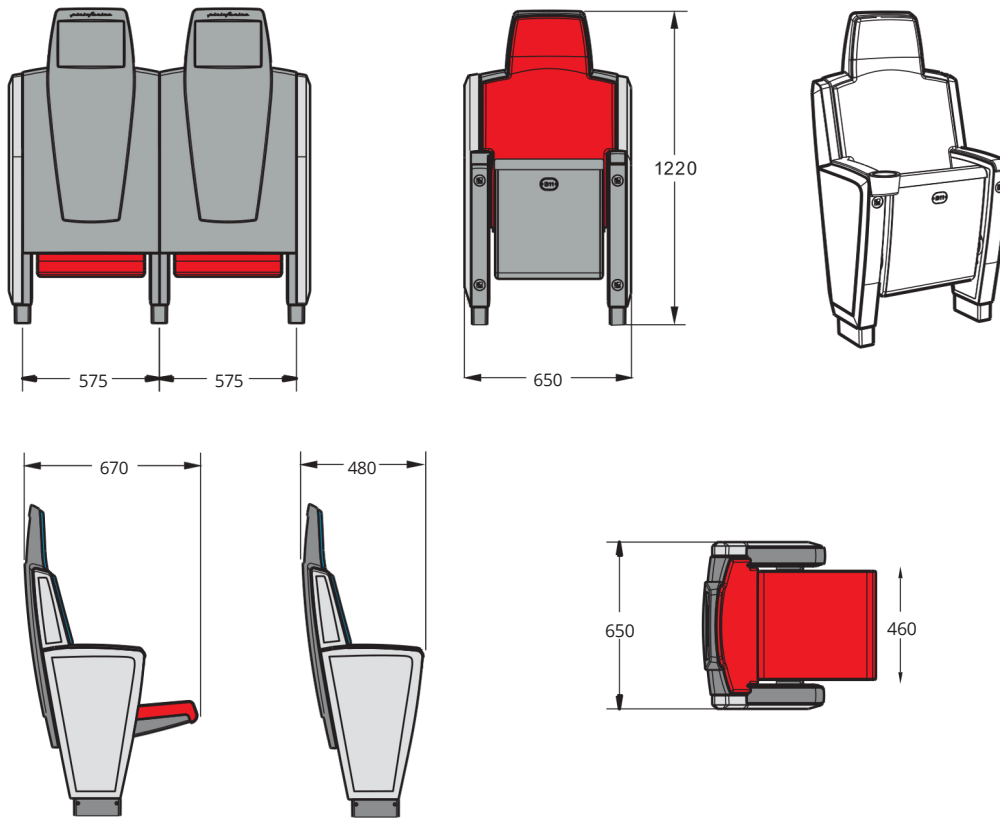
GOLD

(WITH CUP HOLDER)



# leonardo 557

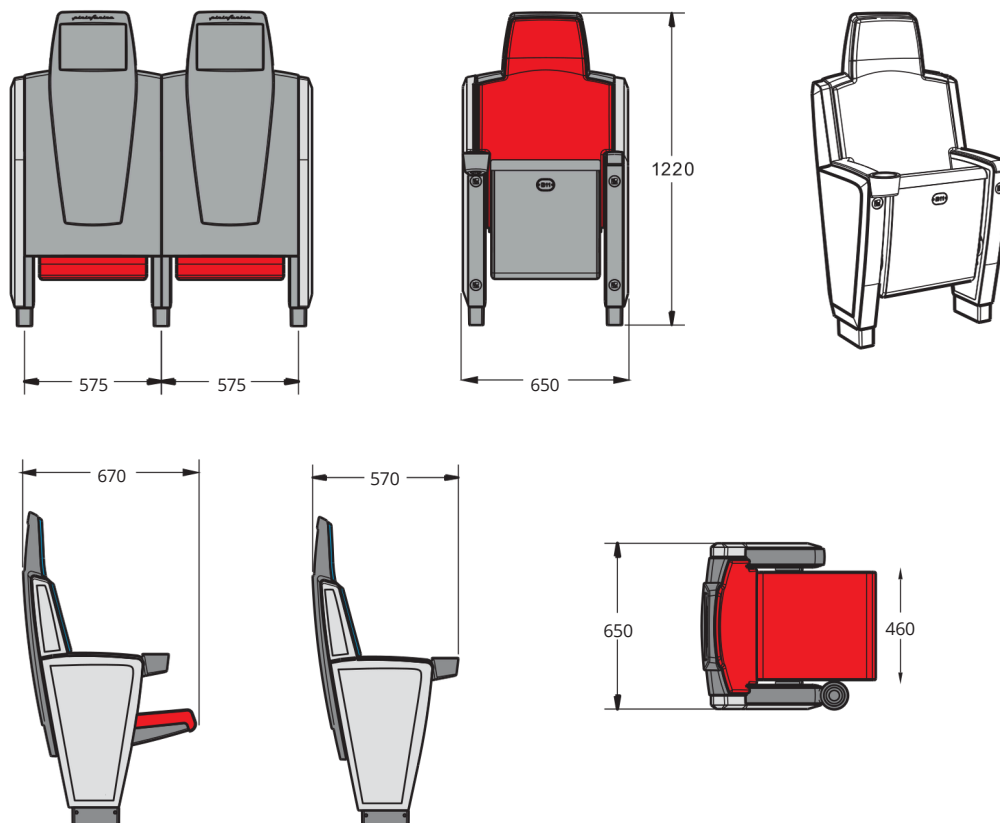
GOLD



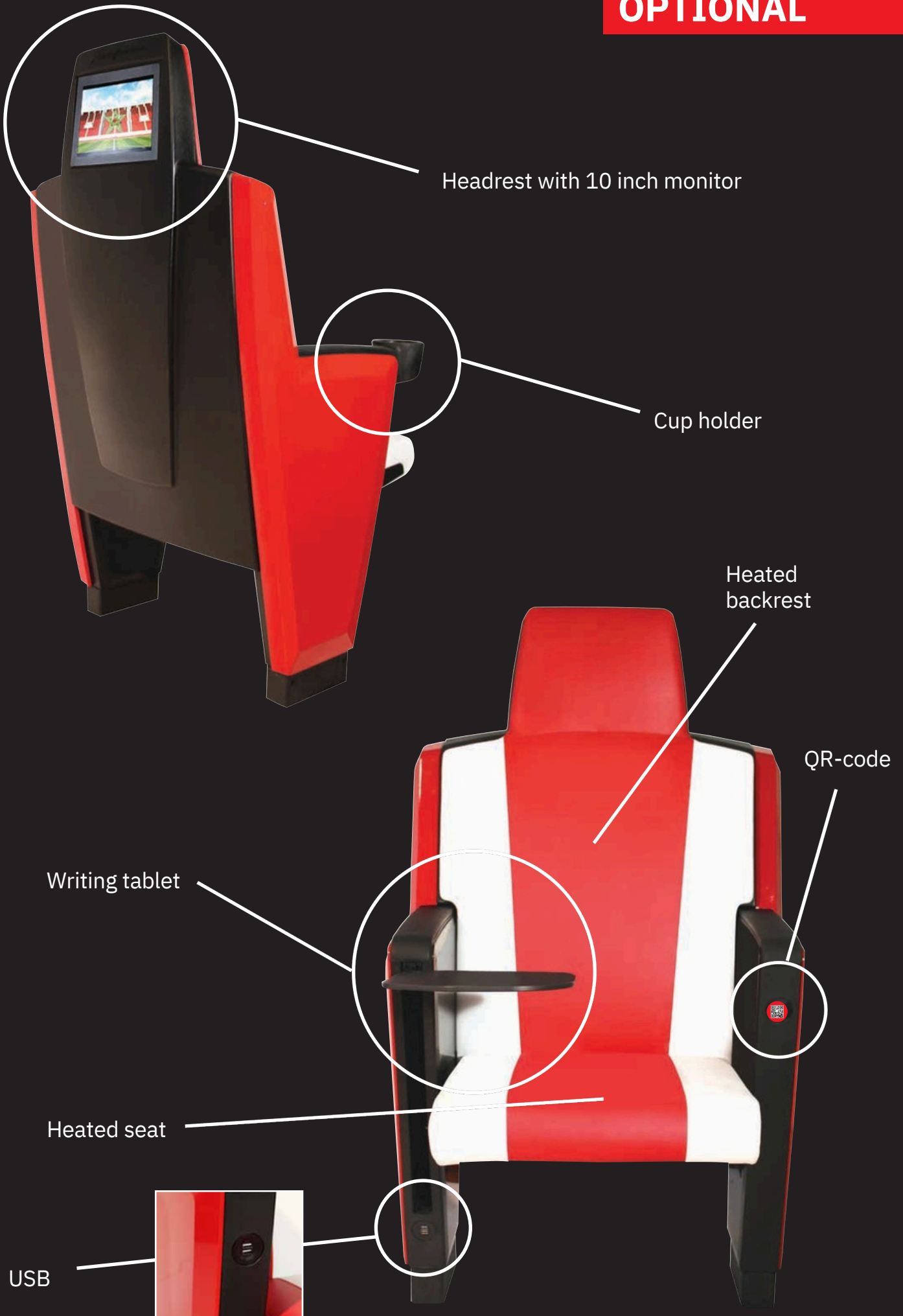
# leonardo 557

GOLD

(WITH CUP HOLDER)



**OPTIONAL**





## leonardo 597

GOLD

high backrest, lateral side in painted polyurethane,  
center to center distance, 575 mm, installed in rows



## leonardo 557

GOLD

high backrest, low lateral side in ABS,  
center to center distance 575 mm, installed in rows