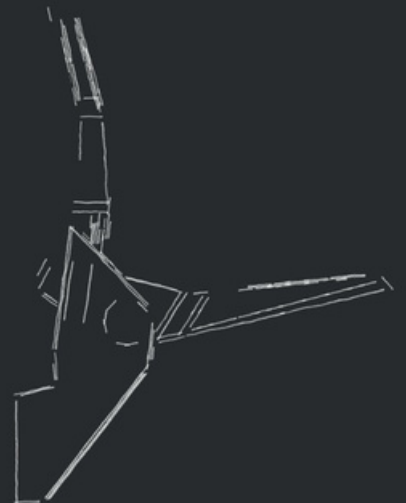
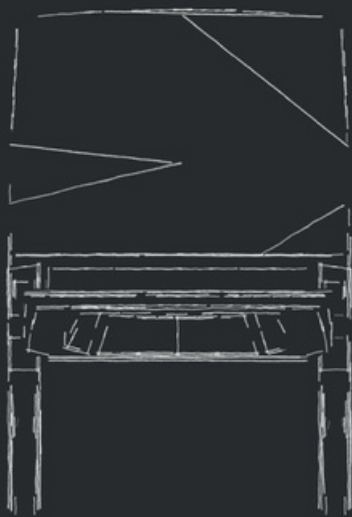
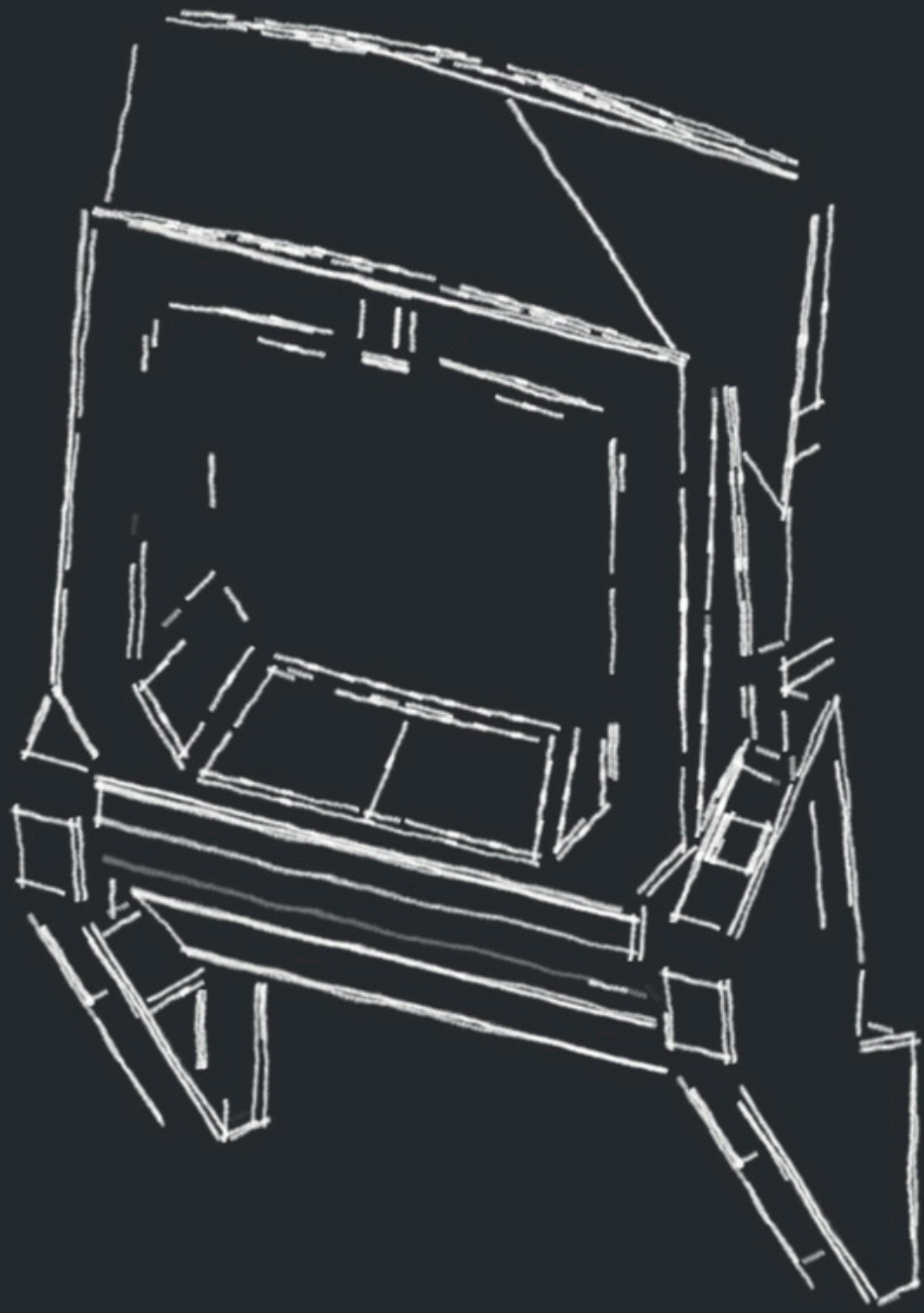


TECHNICAL SHEET

M2013

Fight pollution, sit on a green solution



M2013
GP

General Public

plastica
seconda vita
MIX ECO



M2013
GENERAL

PUBLIC

TECHNICAL DESCRIPTION

M2013

M2013
GP General Public

Dimensions:

width 480 mm, depth with closed 150 mm, depth with open seat 480 mm, backrest height (measured from the seat) 410 mm, seat height from 400 to 450 mm.

The cooperation with the designer Giovanni Baccolini did this revolutionary and innovative tip-up named M2013; M2013 is not only a model but a family of products suitable to be located in all areas of a stadium: the general spectator, hospitality area across the VIP area, Business and the exclusive VVIP. Design, comfort, strength and safety. Are the key words to describe a product that meets the end user's needs, tastes and trends in today world.

The model M2013 OMSI is a folding seat thought and designed for its use in sports facilities worldwide. Over 50 years of experience and activity in the manufacture of moulds and injection of plastics, have allowed the creation of a product that can meet all current regulations. Tip-up seat which meets FIFA / UEFA recommendations and approved by FIBA; it complies with the European standard UNI EN 13200-1-4 e; tested by the largest Italian institute for research also for the wood-furniture sector (CATAS) according to European standard EN 12727: 2017 (level 4 - severe).

The structure is made of glass fiber reinforced polyamide (manufactured with injection technology), with chemical and superior mechanical performance, 100% recyclable, non-toxic and fire retardant fire class 1 (Italian legislation) and M2 (French legislation) reinforced with stiffening ribs placed inside the bearing structure provide a strength equal to a steel structure. The characteristics of polyamide make the M2013 also particularly suitable for areas with high humidity and salt concentra-

Seat and back are manufactured with copolymer polypropylene derived from differentiated waste collection and / or industrial waste (**PSV-second life plastic**-version); certified by IPPR (Institute for the promotion of recycled plastics) fireproof and additivated in the mass with substance resistant to UV rays.

The two sides are connected by a central pin in a compact and homogeneous monolithic structure particularly resistant; the rotation of the seat takes place around the pin, the mechanisms, remain covered and protected and meet the safety standards set by EU standards UNI EN 13857 (accessible parts in motion), preventing a possible squeezing of the hands during rotation. The seat folding occurs by gravity, throughout a counterweight not visible and not accessible as it is situated in an appropriate closed compartment. Thanks to the clean and innovative design, the connection between the seat / backrest and polyamide structure is carried out in a harmonious way. No fixing screws remain at sight.

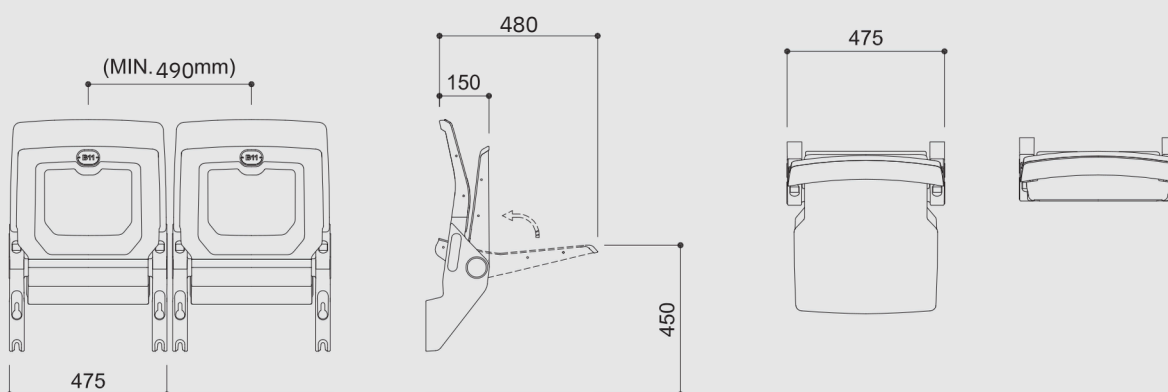
The aluminium numbered plate, generously sized (62 mm x 40 mm), is located in a slot at the top of the seat, for easy viewing from the bottom going up the steps. On the lateral sides was also created a space for housing the row numbering on a circular aluminium plate diameter of 50 mm so as to make the search of the row simple and clear. Everything is secured by rivets 3,2x8 to stick to the anti-vandalism features. On both sides, next to the seat, you can insert a QRcode freely programmable.

The hollow space under the seat allows the insertion of a special sound absorbing panel that allows its use also in theatres and auditoriums. In the upper back part of the backrest, there is an appropriate ad space to dedicate to team logos or sponsors.

Installation possibilities:

RISER MOUNTED - the structure fixed to the step riser in 4 points by means of fixing anchors M8 x 90 (composed by anchor, washer 24 mm and nut M8) that ensure extreme anti-vandal performance

FIFA Recommended 500 mm





“paolo mazza” stadium - ferrara, italy

M2013
H Ospitalità
Hospitality

plastica
seconda vita
MIX ECO



M2013

Ospitalità

TECHNICAL DESCRIPTION

M2013

M2013 Ospitalità
H Hospitality

Dimensions: width 475 mm, depth with closed 150 mm, depth with open seat 480 mm, backrest height (measured from the seat) 410 mm, seat height from 400 to 450 mm.

The cooperation with the designer Giovanni Baccolini did this revolutionary and innovative tip-up named M2013; M2013 is not only a model but a family of products suitable to be located in all areas of a stadium: the general spectator, hospitality area across the VIP area, Business and the exclusive VVIP. Design, comfort, strength and safety. Are the key words to describe a product that meets the end user's needs, tastes and trends in today world.

The model M2013 OMSI is a folding seat thought and designed for its use in sports facilities worldwide. Over 50 years of experience and activity in the manufacture of moulds and injection of plastics, have allowed the creation of a product that can meet all current regulations.

Tip-up seat which meets FIFA / UEFA recommendations and approved by FIBA; it complies with the European standard UNI EN 13200-1-4 e; tested by the largest Italian institute for research also for the wood-furniture sector (CATAS) according to European standard EN 12727: 2017 (level 4 - severe).

The structure is made of glass fiber reinforced polyamide (30%) (manufactured with injection technology), with chemical and superior mechanical performance, 100% recyclable, non-toxic and fire retardant fire class 1 (Italian legislation) and M2 (French legislation) reinforced with stiffening ribs placed inside the bearing structure provide a strength equal to a steel structure. The characteristics of polyamide make the M2013 also particularly suitable for areas with high humidity and salt concentration. Seat and back are Injection moulded with first quality coloured copolymer polypropylene, fire resistant reaction class 1, also addicted with Anti-UV treatment (standard or long range) to ensure maximum resistance to UV insulation rate and are perfectly integrated with the polyamide structure in all its parts granting an exceptional anti vandal resistance and favour the version with upholstery. They are both fixed to the supporting structure by means of rivets (4,8x12 head 16 with tensile strength of 3050 N and shearing strength of 2150 N.) in 6 points.

The two sides are connected by a central pin in a compact and homogeneous monolithic structure particularly resistant; the rotation of the seat takes place around the pin, the mechanisms, remain covered and protected and meet the safety standards set by EU standards UNI EN 13857 (accessible parts in motion), preventing a possible squeezing of the hands during rotation. The seat folding occurs by gravity, throughout a counterweight not visible and not accessible as it is situated in an appropriate closed compartment. Thanks to the clean and innovative design, the connection between the seat / backrest and polyamide structure is carried out in a harmonious way. No fixing screws remain at sight.

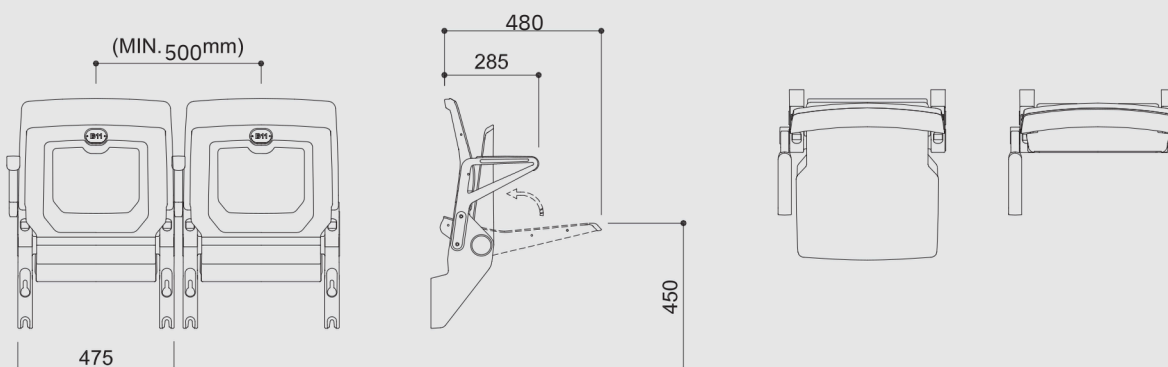
The aluminium numbered plate, generously sized (62 mm x 40 mm), is located in a slot at the top of the seat, for easy viewing from the bottom going up the steps. On the lateral sides was also created a space for housing the row numbering on a circular aluminium plate diameter of 50 mm so as to make the search of the row simple and clear. Everything is secured by rivets 3,2x8 to stick to the anti-vandalism features. On both sides, next to the seat, you can insert a QRcode freely programmable. The hollow space under the seat allows the insertion of a special sound absorbing panel that allows its use also in theatres and auditoriums. In the upper back part of the backrest, there is an appropriate ad space to dedicate to team logos or sponsors.

Installation possibilities:

RISER MOUNTED - the structure fixed to the step riser in 4 points by means of fixing anchors M8 x 90 (composed by anchor, washer 24 mm and nut M8) that ensure extreme anti-vandal performance

The **"HOSPITALITY"** version is equipped with polypropylene arms (injection moulded) fixed to the two lateral sides in 2 points. It is possible to customize the arm with the adoption of colours matching the plastics.

Dimensions: center distance with shared arm 500 mm, center distance with double arm minimum 550 mm. Depth with closed seat and arm 290 mm, depth with open seat 480 mm, seat height from 400 to 450 mm.



M2013
V
VIP



M2013
vip

TECHNICAL DESCRIPTION

M2013



Dimensions: width 475 mm, depth with closed 150 mm, depth with open seat 480 mm, backrest height (measured from the seat) 410 mm, seat height from 400 to 450 mm.

The cooperation with the designer Giovanni Baccolini did this revolutionary and innovative tip-up named M2013; M2013 is not only a model but a family of products suitable to be located in all areas of a stadium: the general spectator, hospitality area across the VIP area, Business and the exclusive VVIP. Design, comfort, strength and safety. Are the key words to describe a product that meets the end user's needs, tastes and trends in today world.

The model M2013 OMSI is a folding seat thought and designed for its use in sports facilities worldwide. Over 50 years of experience and activity in the manufacture of moulds and injection of plastics, have allowed the creation of a product that can meet all current regulations. Tip-up seat which meets FIFA / UEFA recommendations and approved by FIBA; it complies with the European standard UNI EN 13200-1-4 e; tested by the largest Italian institute for research also for the wood-furniture sector (CATAS) according to European standard EN 12727: 2017 (level 4 - severe).

The structure is made of glass fiber reinforced polyamide (30%) (manufactured with injection technology), with chemical and superior mechanical performance, 100% recyclable, non-toxic and fire retardant fire class 1 (Italian legislation) and M2 (French legislation) reinforced with stiffening ribs placed inside the bearing structure provide a strength equal to a steel structure. The characteristics of polyamide make the M2013 also particularly suitable for areas with high humidity and salt concentration. Seat and back are Injection moulded with first quality coloured copolymer polypropylene, fire resistant reaction class 1, also addicted with Anti-UV treatment (standard or long range) to ensure maximum resistance to UV insulation rate and are perfectly integrated with the polyamide structure in all its parts granting an exceptional anti vandal resistance and favour the version with upholstery. They are both fixed to the supporting structure by means of rivets (4,8x12 head 16 with tensile strength of 3050 N and shearing strength of 2150 N.) in 6 points.

The two sides are connected by a central pin in a compact and homogeneous monolithic structure particularly resistant; the rotation of the seat takes place around the pin, the mechanisms, remain covered and protected and meet the safety standards set by EU standards UNI EN 13857 (accessible parts in motion), preventing a possible squeezing of the hands during rotation. The seat folding occurs by gravity, throughout a counterweight not visible and not accessible as it is situated in an appropriate closed compartment. Thanks to the clean and innovative design, the connection between the seat / backrest and polyamide structure is carried out in a harmonious way. No fixing screws remain at sight. The aluminium numbered plate, generously sized (62 mm x 40 mm), is located in a slot at the top of the seat, for easy viewing from the bottom going up the steps. On the lateral sides was also created a space for housing the row numbering on a circular aluminium plate diameter of 50 mm so as to make the search of the row simple and clear. Everything is secured by rivets 3,2x8 to stick to the anti-vandalism features. On both sides, next to the seat, you can insert a QRcode freely programmable.

The hollow space under the seat allows the insertion of a special sound absorbing panel that allows its use also in theatres and auditoriums. In the upper back part of the backrest, there is an appropriate ad space to dedicate to team logos or sponsors.

Installation possibilities:

RISER MOUNTED - the structure fixed to the step riser in 4 points by means of fixing anchors

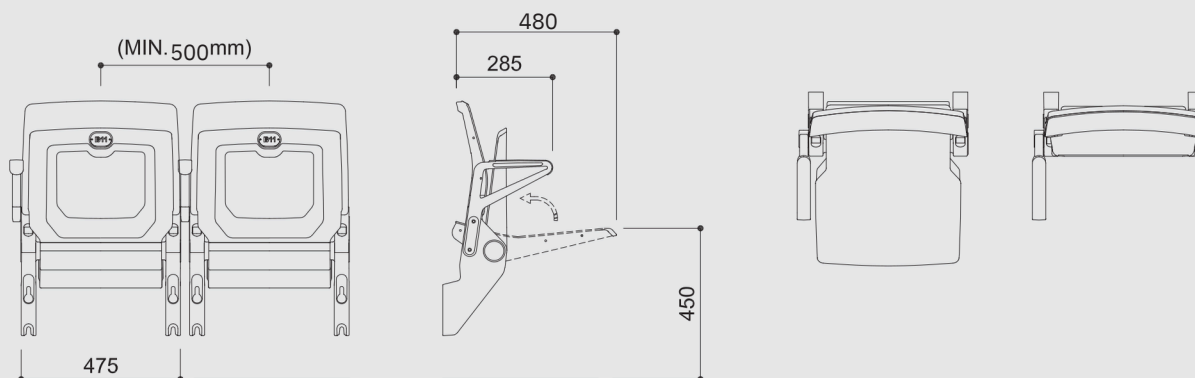
M8 x 90 (composed by anchor, washer 24 mm and nut M8) that ensure extreme anti-vandal performance The "VIP" version is

equipped with polypropylene arms (injection moulded) fixed to the two lateral sides in 2 points and padded panels fixed directly on the plastic seat / backrest by rivets. The particular nature of the used materials such as polypropylene for the structure of the panel, polyurethane foam (foam rubber) for padding, imitation leather for coverings and stainless steel for the fastening screws, make the whole set suitable for outdoor use. It can be customized with the adoption of different colours and the embroidering of logos and/or writings. The armrest can be standard or VIP lined with black polyurethane foam fixed to the two lateral sides in 2 points It is possible to customize the arm with the adoption of colours matching the plastics.

Dimensions: center distance with shared arm 500 mm, center distance with double arm minimum 550 mm.

Depth with closed seat and arm 290 mm, depth with open seat 480 mm, seat height from 400 to 450 mm

FIFA Recommended 600 mm





“Benito Stirpe” stadium - Frosinone, Italy



“paolo mazza” stadium - ferrara, italy



PENZO STADIUM - VENICE, ITALY

M2013
V VVIP



M2013
Vip

TECHNICAL DESCRIPTION

M2013



Dimensions: width 475 mm, depth with closed 150 mm, depth with open seat 480 mm, backrest height (measured from the seat) 410 mm, seat height from 400 to 450 mm.

The cooperation with the designer Giovanni Baccolini did this revolutionary and innovative tip-up named M2013; M2013 is not only a model but a family of products suitable to be located in all areas of a stadium: the general spectator, hospitality area across the VIP area, Business and the exclusive VVIP. Design, comfort, strength and safety. Are the key words to describe a product that meets the end user's needs, tastes and trends in today world.

The model M2013 OMSI is a folding seat thought and designed for its use in sports facilities worldwide. Over 50 years of experience and activity in the manufacture of moulds and injection of plastics, have allowed the creation of a product that can meet all current regulations. Tip-up seat which meets FIFA / UEFA recommendations and approved by FIBA; it complies with the European standard UNI EN 13200-1-4 e; tested by the largest Italian institute for research also for the wood-furniture sector (CATAS) according to European standard EN 12727: 2017 (level 4 - severe).

The structure is made of glass fiber reinforced polyamide (30%) (manufactured with injection technology), with chemical and superior mechanical performance, 100% recyclable, non-toxic and fire retardant fire class 1 (Italian legislation) and M2 (French legislation) reinforced with stiffening ribs placed inside the bearing structure provide a strength equal to a steel structure. The characteristics of polyamide make the M2013 also particularly suitable for areas with high humidity and salt concentration. Seat and back are Injection moulded with first quality coloured copolymer polypropylene, fire resistant reaction class 1, also addicted with Anti-UV treatment (standard or long range) to ensure maximum resistance to UV insulation rate and are perfectly integrated with the polyamide structure in all its parts granting an exceptional anti vandal resistance and favour the version with upholstery. They are both fixed to the supporting structure by means of rivets (4,8x12 head 16 with tensile strength of 3050 N and shearing strength of 2150 N.) in 6 points.

The two sides are connected by a central pin in a compact and homogeneous monolithic structure particularly resistant; the rotation of the seat takes place around the pin, the mechanisms, remain covered and protected and meet the safety standards set by EU standards UNI EN 13857 (accessible parts in motion), preventing a possible squeezing of the hands during rotation. The seat folding occurs by gravity, throughout a counterweight not visible and not accessible as it is situated in an appropriate closed compartment. Thanks to the clean and innovative design, the connection between the seat / backrest and polyamide structure is carried out in a harmonious way. No fixing screws remain at sight. The aluminium numbered plate, generously sized (62 mm x 40 mm), is located in a slot at the top of the seat, for easy viewing from the bottom going up the steps. On the lateral sides was also created a space for housing the row numbering on a circular aluminium plate diameter of 50 mm so as to make the search of the row simple and clear. Everything is secured by rivets 3,2x8 to stick to the anti-vandalism features. On both sides, next to the seat, you can insert a QRcode freely programmable.

The hollow space under the seat allows the insertion of a special sound absorbing panel that allows its use also in theatres and auditoriums. In the upper back part of the backrest, there is an appropriate ad space to dedicate to team logos or sponsors.

Installation possibilities:

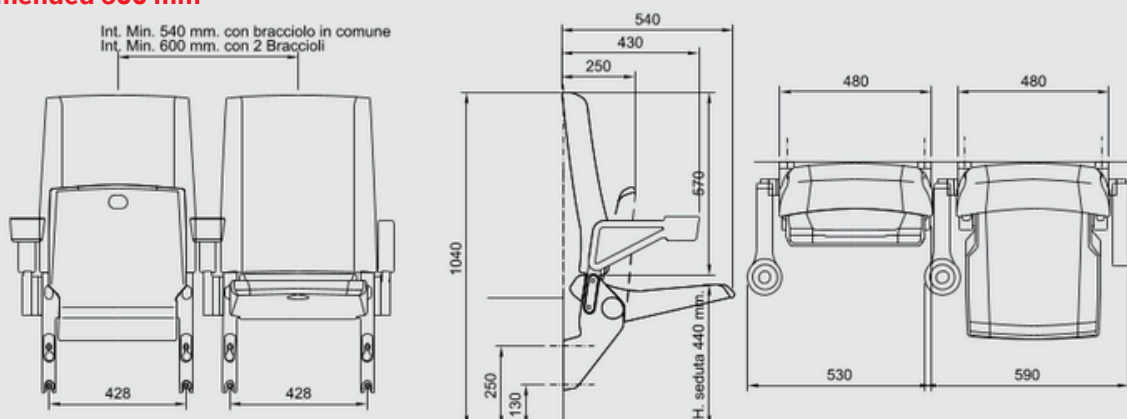
RISER MOUNTED - the structure fixed to the step riser in 4 points by means of fixing anchors

M8 x 90 (composed by anchor, washer 24 mm and nut M8) that ensure extreme anti-vandal performance

The "VVIP" version has a configuration with backrest and seat completely upholstered on the whole surface and a more generous backrest size (+100 mm compared to the "VIP GOLD") The particular nature of the used materials such as polyurethane foam (foam rubber) for padding and synthetic leather for coverings make it all suitable for outdoor use. It can be customized with the adoption of different colours and the embroidering of logos and/or writings. The arm can be provided with (VVIP) or without cup holder (VIP), lined with black polyurethane foam fixed to the two lateral sides in 2 points. It is possible to customize the arm with the adoption of colours matching the plastics.

Dimensions: center distance with VIP shared arm 520 mm, center distance with double VIP arm minimum 580 mm, center distance with double VIP or VVIP arm minimum 620 mm, depth with closed seat and VIP arm 350 mm, depth with closed seat and VVIP arm 450 mm, depth with open seat 540 mm, height of backrest (measured from seat) 610 mm, seat height from 400 to 450 mm.

FIFA Recommended 600 mm





“EUGANEO” STADIUM - PADOVA, ITALY



“Benito Stirpe” stadium - Frosinone, Italy

COLOURS M2013

STANDARD COLOURS:



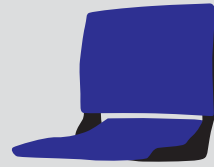
F0001



R3002



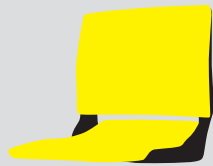
R7004



R5017



R6001



R1021



R3002

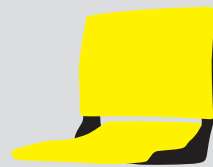
NON-STANDARD COLOURS AT LEAST 500 PCS:



WITHE
R9003
R9010



BEIGE
R1001
R8000



YELLOW
R1034



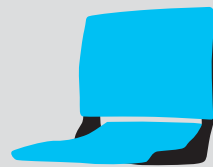
ORANGE
F0004
R2009
R2003



RED
R3001
R3004
R3020



GREEN
R6032
R6018
R6026
R6004
R6024



LIGHT BLUE
P283C



BLUE
R5002
R5012
R5013
R5014
R5024



GREY
P428C
R7004
R7035
R7037
R7040
R7016
R7022



BORDEAUX
P504C



BROWN
R8019



OTHER
COLOURS

OTHER VERSIONS

M2013

The **“ROTATING”** version is used for disabled people companions or as workstation for radio/TV journalists and consists of a chair M2013 clamped on a single station tubular steel FE360 80x40 thickness 2 mm which is secured to a vertical polyamide support with 4 threading screws. The complete structure is then fixed to the floor by means of n. 4 fixing anchors M8 x 75mm (composed by the anchor, washer Ø24 mm and nut M8) for each module to ensure extreme anti- vandal performance. Steel parts have cathaphoresis finishing and painting (in accordance with ISO 9227) or are hot dip gal- vanized (in accordance with EN 1461). Upholstery panels or complete upholstery are also available on seat and back, as well as arms and colours or logos customizations. Dimensions: width 500 mm, depth with closed seat 150 mm, depth with open seat 480 mm, seat height from 400 to 450 mm



The **“PRESS”** version comes with a seat Mod. M2013 mounted on a steel beam FE360 80x40 thickness 2 mm where a metal arm is also fixed, that supports a folding tablet formed by its aluminium joint fixed to the structure onto which is mounted a HPL tablet sized to operate as a working top in horizontal position and to be folded along the side of the chair when not in use. The joint is designed with anti-panic mechanism which rotates forward the tablet and facilitates a rapid evacuation in case of need. It is also possible to equip the seat with paddings fixed on top or integrated, armrests with or without glass holder, possible customizations with colours and embroidered logos upon request.



The version **“WITH FOLDING ARMS”** is the ideal solution for customers with limited space who do not want to give up the convenience of the armrests. Thanks to a special mechanism fixed to the lateral sides of the supporting structure, the polypropylene armrest is able to bend of over 100 °.

