



TECHNICAL SHEET

M2012

Fight pollution, sit on a green solution

M2012
GP

General Public



M2012
GENERAL
PUBLIC

TECHNICAL DESCRIPTION

M2012

M2012
GP

Pubblico Generale
General Public

The model M2012 is a folding seat thought and designed for its use in sports facilities worldwide. Seat FIBA approved and complying with the latest FIFA and UEFA recommendations; it complies with the European standard EN 13200-1-4; tested by the largest Italian institute for research and testing in the wood-furniture sector according to European standard EN 12727: 2017 (level 4 - severe). The structure is made of fire-resistant glass fiber reinforced polyamide (manufactured with injection technology), stiffening ribs placed inside the bearing structure provide a strength equal to a steel structure. The wraparound shape of the seat and backrest in polypropylene (manufactured with injection technology) applied on the structure and fixed to the support by means of blind rivets (4,8x12 head 16 with seal breaking load in traction of 3050 N and a load of shear failure of 2150 N.) make the whole chair extremely resistant to vandalism. The characteristics of polyamide make the M2012 also particularly suitable for areas with high humidity and salt concentration.

The two sides are connected by a central pin in a compact and homogeneous monolithic structure particularly resistant; the rotation of the seat takes place around the pin, the mechanisms, remain covered and protected and meet the safety standards set by EU standards UNI EN 13857 (accessible parts in motion), preventing a possible squeezing of the hands during rotation. The seat folding occurs by gravity, throughout a counterweight not visible and not accessible as it is situated in an appropriate closed compartment. The backrest has a height of 350 mm (measured from the seat) and a width of 445 mm; No fixing screws remain at sight

The aluminium numbered plate, generously sized (62 mm x 40 mm), is located in a slot at the top of the back, for easy viewing from the bottom going up the steps. On the lateral sides was also created a space for housing the row numbering on a circular aluminum plate diameter of 80 mm so as to make the search of the row simple and clear.

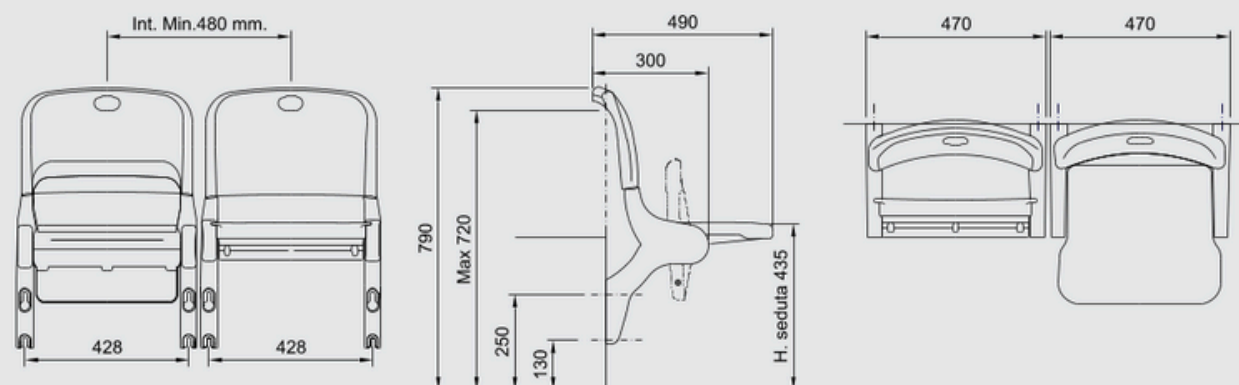
Everything is secured by rivets 3,2x7 to stick to the anti-vandalism features.

On the lower part of the seat structure, a specific ad space is made, to devote to any logos or corporate sponsors.

The supporting structure is fixed on the front of the step by means of n. 4 expansion bolts M8 x 90 mm (composed of the anchor, washer and nut M8 Ø24 mm) that offer extreme anti-vandal tightness.

Installations possibilities - RISER MUNITED: the structure fixed to the step riser in 4 points by means of fixing anchors M8x90 (composed by anchor, washer 24 mm and nut M8) that ensure extreme anti-vandal performance.

FIFA Recommended 600 mm







SEAT NO. 8
C1G2

16

17

18

15

16

17

M2012
H Ospitalità
Hospitality



M2012
Ospitalità

TECHNICAL DESCRIPTION

M2012

M2012 Ospitalità
H Hospitality

The model M2012 is a folding seat thought and designed for its use in sports facilities worldwide. Seat FIBA approved and complying with the latest FIFA and UEFA recommendations; it complies with the European standard EN 13200-1-4; tested by the largest Italian institute for research and testing in the wood-furniture sector according to European standard EN 12727: 2017 (level 4 - severe). The structure is made of fire-resistant glass fiber reinforced polyamide (manufactured with injection technology), stiffening ribs placed inside the bearing structure provide a strength equal to a steel structure. The wraparound shape of the seat and backrest in polypropylene (manufactured with injection technology) applied on the structure and fixed to the support by means of blind rivets (4,8x12 head 16 with seal breaking load in traction of 3050 N and a load of shear failure of 2150 N.) make the whole chair extremely resistant to vandalism. The characteristics of polyamide make the M2012 also particularly suitable for areas with high humidity and salt concentration.

The two sides are connected by a central pin in a compact and homogeneous monolithic structure particularly resistant; the rotation of the seat takes place around the pin, the mechanisms, remain covered and protected and meet the safety standards set by EU standards UNI EN 13857 (accessible parts in motion), preventing a possible squeezing of the hands during rotation. The seat folding occurs by gravity, throughout a counterweight not visible and not accessible as it is situated in an appropriate closed compartment. The backrest has a height of 350 mm (measured from the seat) and a width of 445 mm; No fixing screws remain at sight

The aluminium numbered plate, generously sized (62 mm x 40 mm), is located in a slot at the top of the back, for easy viewing from the bottom going up the steps. On the lateral sides was also created a space for housing the row numbering on a circular aluminum plate diameter of 80 mm so as to make the search of the row simple and clear.

Everything is secured by rivets 3,2x7 to stick to the anti-vandalism features.

On the lower part of the seat structure, a specific ad space is made, to devote to any logos or corporate sponsors. The supporting structure is fixed on the front of the step by means of n. 4 expansion bolts M8 x 90 mm (composed of the anchor, washer and nut M8 Ø24 mm) that offer extreme anti-vandal tightness.

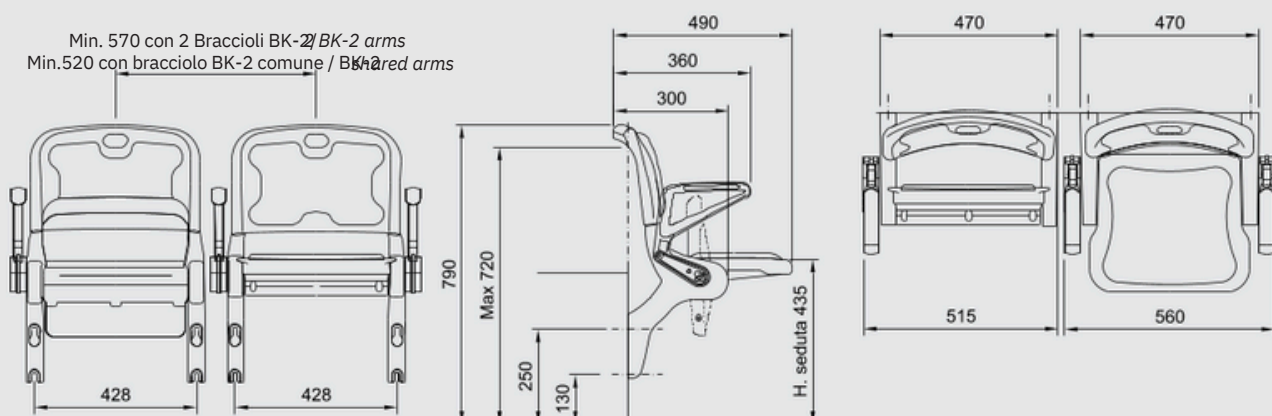
Installations possibilities - RISER MUNITED: the structure fixed to the step riser in 4 points by means of fixing anchors M8x90 (composed by anchor, washer 24 mm and nut M8) that ensure extreme anti-vandal performance.

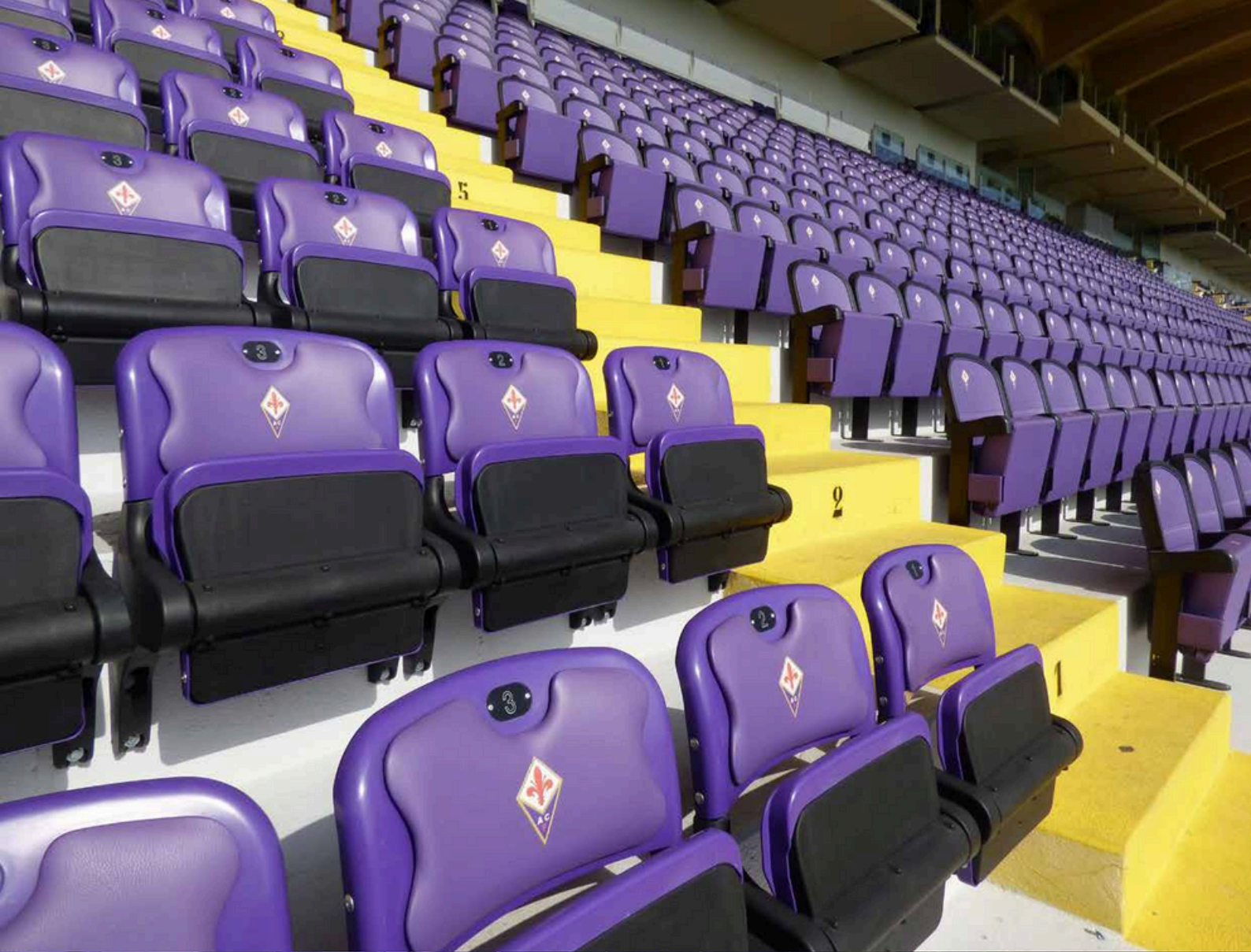
The **“Hospitality”** version has a configuration with padded panels fixed directly on the plastic of the seat by means of screws.

The particular nature of the used materials such as polypropylene for the structure of the panel, polyurethane foam (foam rubber) for padding, imitation leather for coverings and stainless steel for the fastening screws, make the whole set suitable for outdoor use. It can be customized with the adoption of different colours and the embroidering of logos and/or writings. The armrest of the version Hospitality is made of a steel structure treated superficially with cathoresis and paint and it is directly fixed on the sides of the supporting structure with stainless steel structural rivets. The armrest pad is in black polypropylene. It is possible however, to customize the arm with the adoption of colours matching the plastics.

Dimensions: center distance with standard shared arm 530 mm, center distance with shared arm with cupholder 550 mm, center distance with double standard arm minimum 600 mm, center distance with double arm with cup holder minimum 620 mm, depth with closed seat and standard arm 360 mm, depth with closed seat and cup holder 440 mm, depth with open seat 490 mm, seat height from 400 to 450 mm.

FIFA Recommended 600 mm





“A franchi” stadium - florence, Italy

ROYAL

NGM
NEW GENERATION MOBILE

COMPUTER
GROSS



“castellani” stadium - empoli, Italy

COLOURS M2012

STANDARD COLOURS:



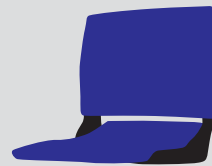
F0001



R3002



R7004



R5017



R6001



R1021



F0009

NON-STANDARD COLOURS AT LEAST 500 PCS:



BIANCO
R9003
R9010



AVORIO
R1001
R8000



GIALLO
R1034



ARANCIO
F0004
R2009
R2003



ROSSO
R3001
R3004
R3020



VERDE
R6032
R6018
R6026
R6004
R6024



AZZURRO
P283C



BLU
R5002
R5012
R5013
R5014
R5024



GRIGIO
P428C
R7004
R7035
R7037
R7040
R7016
R7022



BORDEAUX
P504C



MARRONE
R8019



ALTRI
COLORI