



TECHNICAL SHEET

M2010



M2010
GP *General Public*



M 2 0 1 0

TECHNICAL DESCRIPTION

M2010

Model M2010 is a Stadium seat with backrest which grants the user to enjoy the sport event in the maximum comfort without sacrificing strength and durability.

It is considered the best high back seat for quality/price. The depth of 400 mm is adaptable for most of the existing and/or new built terrace steps.

Its 4 fixing points grant exceptional strength, reliability and resistance to vandalism.

FIBA approved, complying with the European standards UNI EN 13200-1-4; tested by appropriate national and certified labs, specialized with wood and furniture.

M2010 also complies with European standards UNI EN 12727:2017 (level 4 – severe).

Injection moulded with first quality coloured copolymer polypropylene, fire resistant reaction class 1, also adducted with Anti-UV treatment (standard or long range) to ensure maximum resistance to UV insulation rate.

The dimensions are: Width 420 mm, Depth 400 mm, Height of the backseat 320 mm.

The base perimeter of the shell has a thickness of 4 mm, increased compared to the average thickness, so that the whole load is evenly distributed; a grid of 2.5 / 3 mm thick ribs crossing under the seat, connect the fastening points' slots.

An edge by 4/5 mm thick along the perimeter of the backrest strenghtens the most stressed part; 10 horizontal ribs (5 per side) of thickness 2 mm ensure excellent resistance to impacts from the back.

The surface of the seat is shiny and smooth to prevent dirt accumulation and facilitate cleaning.

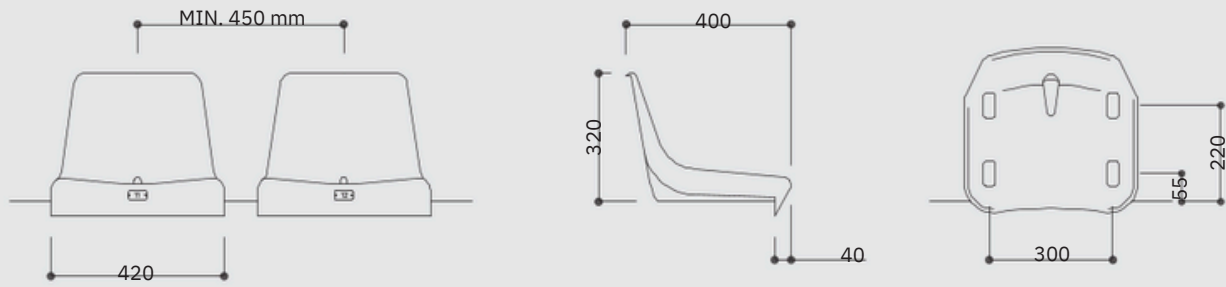
The drainage of the liquids occurs by gravity by means of an integrated hole in the seat design that drives the liquids in the rear avoiding any kind of stagnation in the central part of the shell. Curved front edge with right-angle base overlapping terrace front.

Seat numbers, 45x18 mm are made with plastic material (or aluminium) and are located in the appropriate slot in the front part of the seat for easier viewing from below by climbing the steps. The plate is fixed using n.2 rivets 3,2x7 mm.

Installation options:

1. Direct on concrete step in 4 points with M8/M10 anchors;
2. Riser mounted on a polyamide or metal bracket in 4 points using M8/M10 anchors;
3. Floor mounted on metal beam fixed to the step floor in 4 points with M8/M10 anchors;

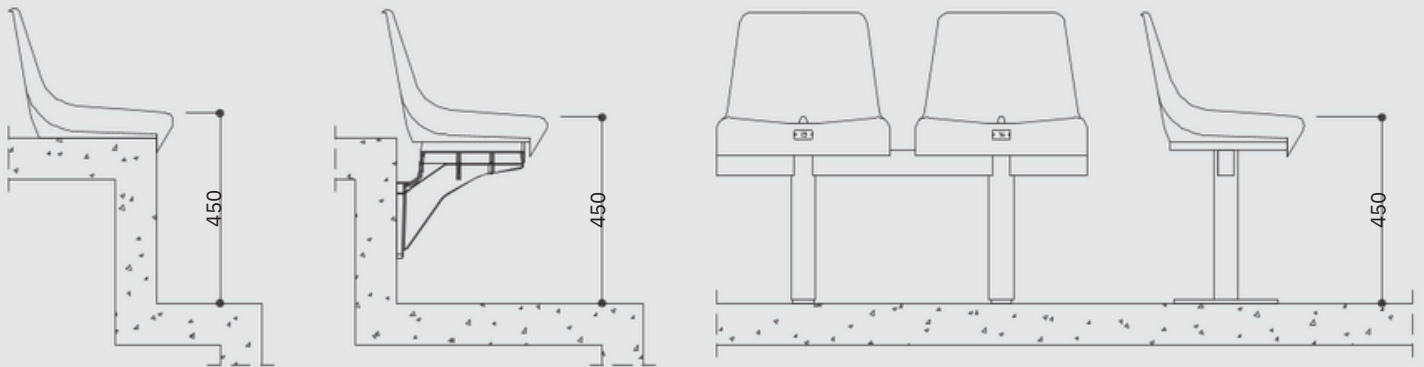
Raccomandato FIFA 500 mm / FIFA Recommended 500 mm



> DIRECTLY ON STEP

> RISER MOUNTING*

> ON METAL BENCH



* Possibility to choose between polyamide or metal bracket





