



TECHNICAL SHEET

M2008

M2008
G

General Public



M2008

TECHNICAL DESCRIPTION

M2008

The dimensions are: Width 440 mm, Depth 350 mm, Height of the backseat 350 mm.

Model M2008 is a Stadium seat with backrest which grants the user to enjoy the sport event in the maximum comfort without sacrificing strength and durability. It has been the first seat on the market complying with the minimum required depth of 35 cm according to European UNI EN 13200-1.

Its 3 fixing points grant exceptional strength, reliability and resistance to vandalism.

UEFA recommendations and complying with the European standards UNI EN 13200-1-4; tested by appropriate national and certified labs, specialized with wood and furniture. M2008 also complies with European standards UNI EN 12727:2017 (level 4 – severe).

Injection moulded with first quality coloured copolymer polypropylene, fire resistant reaction class 1, also addicted with Anti-UV treatment (standard or long range) to ensure maximum resistance to UV insulation rate.

The base perimeter of the shell has a thickness of 4 mm, increased compared to the average thickness, so that the whole load is evenly distributed; a grid of 2.5 / 3 mm thick ribs crossing under the seat, connect the fastening points' slots.

An edge by 4/5 mm thick along the perimeter of the backrest strengthens the most stressed part; 10 horizontal ribs (5 per side) of thickness 2 mm ensure excellent resistance to impacts from the back. The surface of the seat is shiny and smooth to prevent dirt accumulation and facilitate cleaning.

The drainage of the liquids occurs by gravity by means of an integrated hole in the seat design that drives the liquids in the rear avoiding any kind of stagnation in the central part of the shell. Curved front edge with right-angle base overlapping terrace front.

Seat numbers, 45x18 mm are made with plastic material (or aluminium) and are located in the appropriate slot in the front part of the seat for easier viewing from below by climbing the steps. The plate is fixed using n.2 rivets 3,2x7 mm.

The real 'heart' of this seat is represented by its central fixing device. It is a forged metal plate, fixed together with the seat to increase its resistance to leverage up to 40% in case of rear pressure. Just to stress the fact that, this fixing device for M2008 ends up having bigger dimensions than 3 washers with diameter 24 mm.

Installation options:

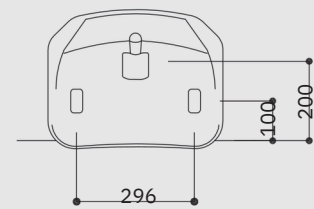
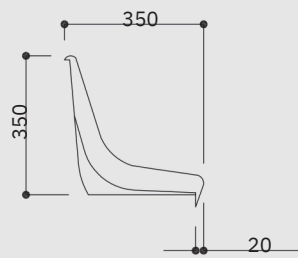
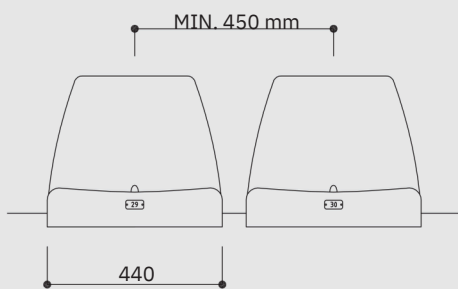
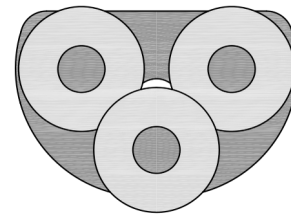
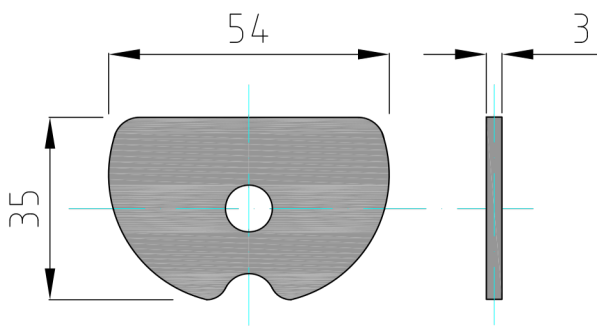
1. Direct on concrete step in 3/4 points with M8/M10 anchors;
2. Riser mounted on a polyamide or metal bracket in 3/4 points using M8/M10 anchors;
3. Floor mounted on metal beam fixed to the step floor in 3/4 points with M8 anchors;

TECHNICAL DETAILS

M2008



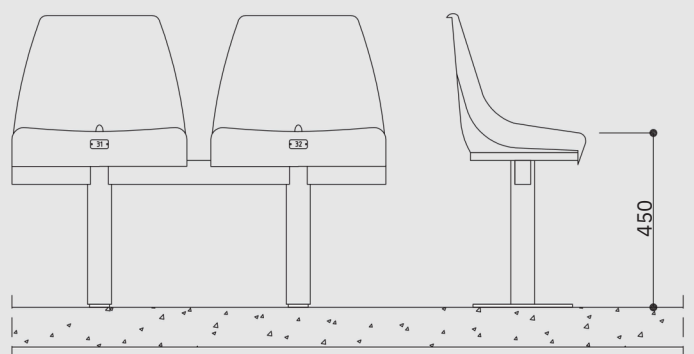
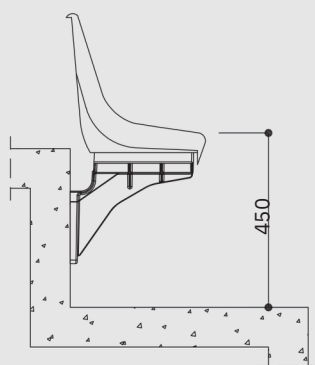
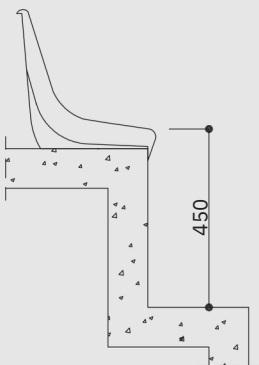
The real 'heart' of this seat is represented by its central fixing device. It is a forged metal plate fixed together with the seat to increase its resistance to leverage up to 40% in case of rear pressure. Just to stress the fact that, this fixing device for M2008 ends up having bigger dimensions than 3 washers with diameter 24 mm.



> DIRECTLY ON STEP

> RISER MOUNTING

> ON METAL BENCH



* Possibility to choose between polyamide or metal bracket



“roi baudouin” stadium - Bruxelles, belgium



“LEONARDO GARILLI” stadium - PIACENZA, ITALY



“VENEZIANI” stadium - MONOPOLI, ITALY



“Riviera delle Palme” stadium - san benedetto del tronto, Italy



“Renato dall’ ara” stadium - bologna, italy

COLOURS M2008

COLOURS IN STOCK:



F0001



R3002



R7004



R5017

STANDARD COLOURS:



R6001



R1021



F0009

NON-STANDARD COLOURS AT LEAST 500 PCS:



WHITE
R9003
R9010



BEIGE
R1001
R8000



YELLOW
R1034



ORANGE
F0004
R2009
R2003



RED
R3001
R3004
R3020



GREEN
R6032
R6018
R6026
R6004
R6024



LIGHT BLUE
P283C



BLUE
R5002
R5012
R5013
R5014
R5024



GREY
P428C
R7004
R7035
R7037
R7040
R7016
R7022



BORDEAUX
P504C



BROWN
R8019



OTHER
COLOURS